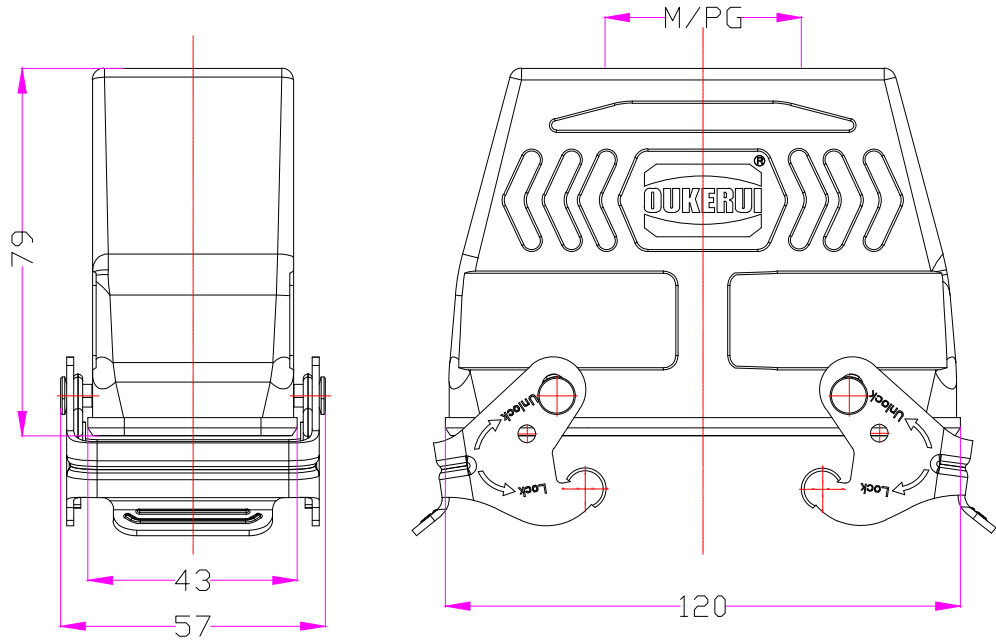



REVISION DATA				
SYM	ECN	DESCRIPTION	DATE	APPROVED



技术参数：  
 材料：压铸铝  
 表面处理：粉末喷涂  
 颜色：RAL7037灰色  
 温度范围：-40℃~+125℃  
 防护等级：IP65(联锁状态)  
 联锁元件  
     锁扣方式：双扣  
     材料：不锈钢  
 出线方向：顶出线  
 螺纹规格：M32/M40/PG21/PG29

Specifications:  
 Material: aluminium die-cast  
 Surface: powder-coated  
 Color: Grey (RAL 7037)  
 Limiting temperatures: -40℃~+125℃  
 Degree of protection: IP65  
 Locking element:  
     Locking type: double locking latch  
     material: stainless steel  
 Cable entry: top entry  
 Thread size: M32/M40/PG21/PG29



Tolerance		SIGNATURE	DATE	Units	mm	 宁波欧科瑞连接器有限公司 NINGBO OUKERUI CONNECTOR CO.,LTD.		
0~≤20 ±0.15	DRAW			Size	A4	PART NAME: HZW-H24B-DJKH-2PL/M-M/PG		
20~≤50 ±0.25	DESIGN			Scale		Drawing NO.		REV
50~≤80 ±0.35	CHECK			Sheet		Material		A
80~≤120 ±0.50	APPROVE			Proj.	