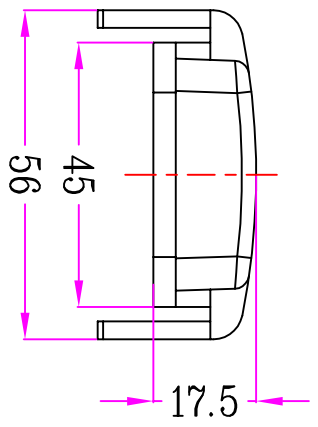
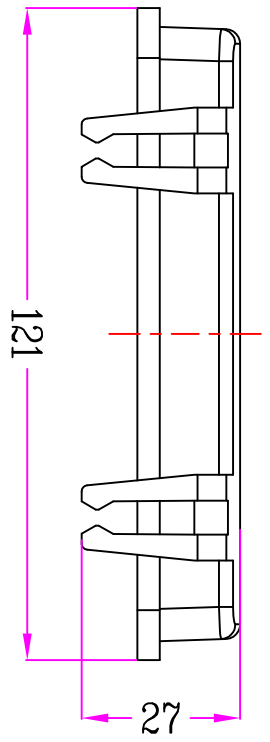



REVISION DATA				
STM	ECN	DESCRIPTION	DATE	APPROVED



	SIGNATURE	DATE	Units	mm	 <b>宁波欧科瑞连接器有限公司</b> NINGBO OKKERUI CONNECTOR CO., LTD.	TYPE NAME	HZW-H24B-CV-4C	
DRAW			Size	A4		Part number	81 304 024 111	REV
DESIGN	杨海辉	27.03.13	Scale			File path	OKR. 24B. H24BV	AO
CHECK			Sheet	1/1				
APPROVE			Proj.					