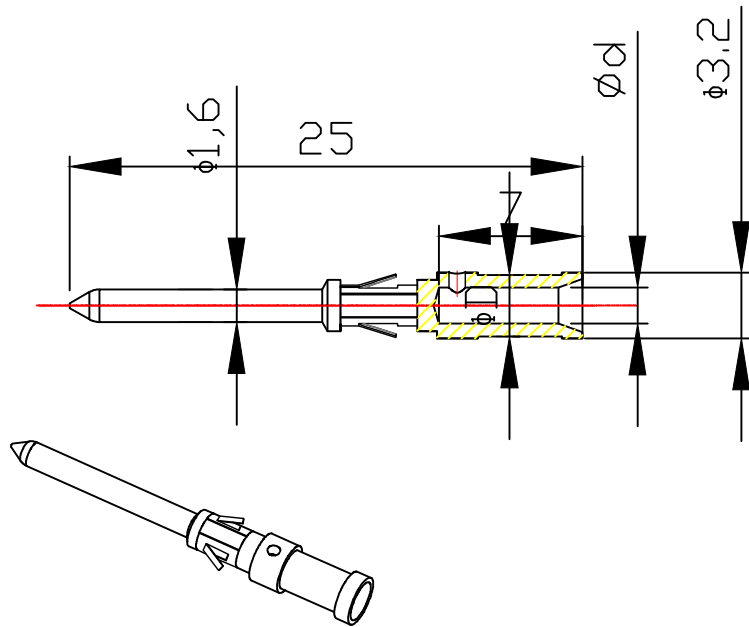



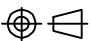
表面镀金	Wire gauge	d	D	剥线长度
CIGM-0.37	0.14-0.37mm ² AWG 26-22	0.90	2.6	7mm
CIGM-0.5	0.5mm ² AWG 20	1.16	2.6	7mm
CIGM-0.75	0.75mm ² AWG 18	1.30	2.6	7mm
CIGM-1.0	1.0mm ² AWG 18	1.45	2.6	7mm
CIGM-1.5	1.5mm ² AWG 16	1.75	3.0	7mm
CIGM-2.5	2.5mm ² AWG 14	2.25	3.2	7mm

REVISION DATA				
SYM	ECN	DESCRIPTION	DATE	APPROVED



技术参数:
 材料: 铜合金
 表面处理: 镀金
 额定电流: 10A
 接触电阻: $\leq 3m\Omega$
 线径范围: 0.14-2.5mm² (26-14 AWG)
 可插拔次数: ≥ 500

Specifications:
 Material: Brass
 Surface: Hard-gold plated
 Rated current: 10A
 Contact resistance: $\leq 3m\Omega$
 Crimp terminal
 Wire gauge: 0.14-2.5mm²
 American wire gauge: 26-14
 Mechanical working life mating cycles: ≥ 500

Tolerance		SIGNATURE	DATE	Units	mm	 宁波欧科瑞连接器有限公司 NINGBO OUKERUI CONNECTOR CO., LTD.	
0~ ≤ 20	± 0.15	DRAW		Size	A4		
20~ ≤ 50	± 0.25	DESIGN		Scale		PART NAME: HZW-CIGM	
50~ ≤ 80	± 0.35	CHECK		Sheet		Drawing NO.	REV
80~ ≤ 120	± 0.50	APPROVE		Proj.		Material	A