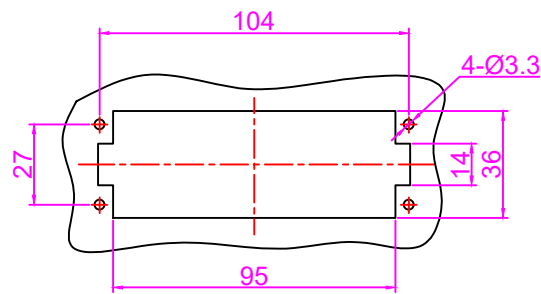
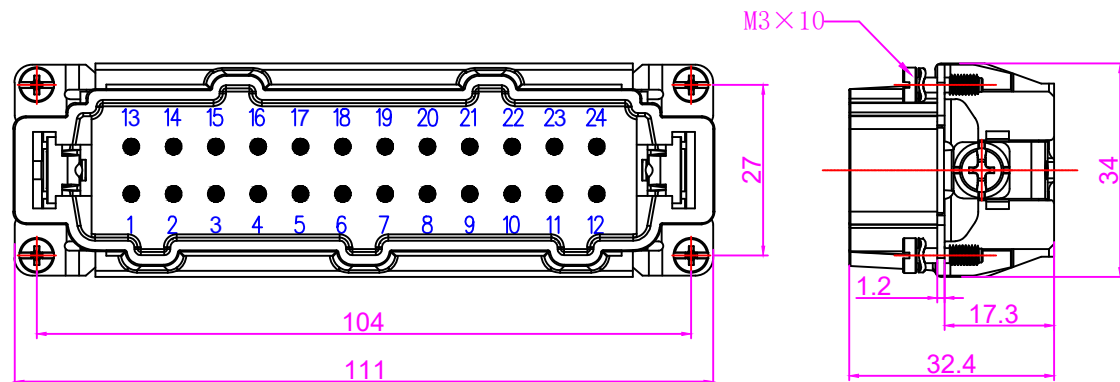
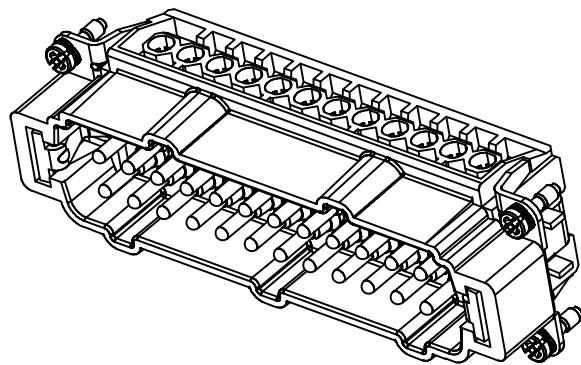


|               |     |             |      |          |  |
|---------------|-----|-------------|------|----------|--|
| 6             |     | 7           |      | 8        |  |
| REVISION DATA |     |             |      |          |  |
| SYM           | ECN | DESCRIPTION | DATE | APPROVED |  |
|               |     |             |      |          |  |
|               |     |             |      |          |  |



面板开孔图  
Panel cut



技术参数:  
 插芯:  
 插针数: 24+PE  
 额定电流: 16A  
 工作电压: 500V  
 额定脉冲电压: 6KV  
 污染等级: 3  
 依据UL/CSA的额定电压: 600V  
 绝缘阻抗:  $\geq 10^{10} \Omega$   
 材料: 聚碳酸酯  
 温度范围:  $-40^{\circ}\text{C} \sim +125^{\circ}\text{C}$   
 依据UL94的阻燃等级: V0  
 可插拔次数:  $\geq 500$

插针:  
 接线方式: 螺钉连接  
 材料: 铜合金  
 表面处理: 镀银  
 接触电阻:  $\leq 1\text{m}\Omega$   
 线径范围:  $1.0 \sim 2.5\text{mm}^2$  (AWG18-14)  
 拧紧力矩:  $0.5\text{N} \cdot \text{m}$   
 剥线长度: 7-9mm

Specifications:  
 Inserts:  
 Number of contacts: 24+PE  
 Rated current: 16A  
 Rated voltage: 500V  
 Rated impulse voltage: 6KV  
 Pollution degree: 3  
 Rated voltage acc.to UL/CSA:600V  
 Insulation resistance:  $\geq 10^{10} \Omega$   
 Material: Polycarbonate  
 Limiting temperatures:  $-40^{\circ}\text{C} \sim +125^{\circ}\text{C}$   
 Flammability acc.to(UL94): V0  
 Mechanical working life -mating cycles:  $\geq 500$

Contacts:  
 Terminal: screw terminal  
 Material: Brass  
 Surfacc: hard-silver plated  
 Contact resistance:  $\leq 1\text{m}\Omega$   
 Crimp terminal  
 Wire gauge-- $\text{mm}^2$ :  $1.0 \sim 2.5\text{mm}^2$   
 Wire gauge--AWG: 18-14  
 Tightening/Test torque:  $0.5\text{N} \cdot \text{m}$   
 Stripping length:7-9mm

|                |            |           |      |       |    |
|----------------|------------|-----------|------|-------|----|
| Tolerance      |            | SIGNATURE | DATE | Units | mm |
| 0~ $\leq 20$   | $\pm 0.15$ | DRAW      |      | Size  | A4 |
| 20~ $\leq 50$  | $\pm 0.25$ | DESIGN    |      | Scale |    |
| 50~ $\leq 80$  | $\pm 0.35$ | CHECK     |      | Sheet |    |
| 80~ $\leq 120$ | $\pm 0.50$ | APPROVE   |      | Proj. |    |

 宁波欧科瑞连接器有限公司  
NINGBO OUKERUI CONNECTOR CO.,LTD.

|                         |  |     |   |
|-------------------------|--|-----|---|
| PART NAME: HZW-HE-024-M |  |     |   |
| Drawing NO.             |  | REV |   |
| Material                |  |     | A |