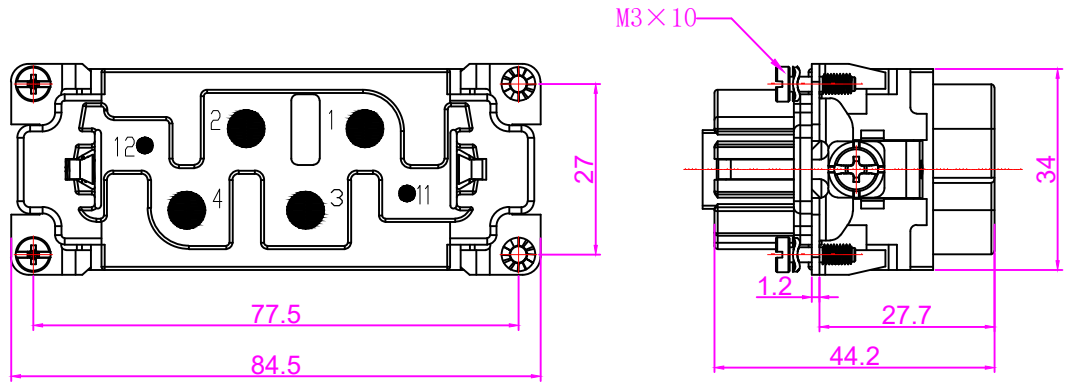
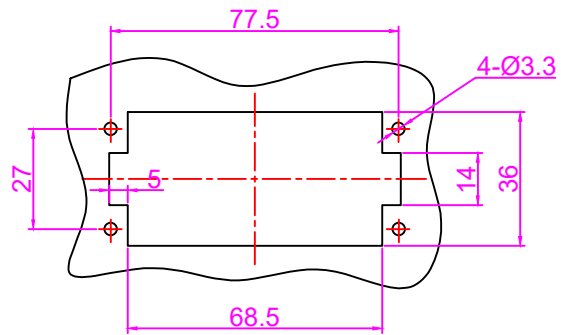


REVISION DATA				
SYM	ECN	DESCRIPTION	DATE	APPROVED



技术参数:
 插芯:
 插针数: 4/2+PE
 电源:
 额定电流: 80A
 工作电压: 690V
 额定脉冲电压: 8KV
 污染等级: 3
 信号:
 额定电流: 16A
 工作电压: 400V
 额定脉冲电压: 6KV
 污染等级: 3
 依据UL/CSA的额定电压: 600V
 绝缘阻抗: $\geq 10^{10}\Omega$
 材料: 聚碳酸酯
 温度范围: $-40^{\circ}\text{C}\sim+125^{\circ}\text{C}$
 依据UL94的阻燃等级: V0
 可插拔次数: ≥ 500

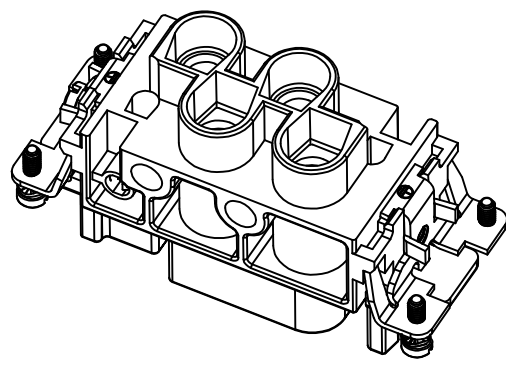
Specifications:
 Inserts:
 Number of contacts: 4/2+PE
 Power arera:
 Rated current: 80A
 Rated voltage: 690V
 Rated impulse voltage: 8KV
 Pollution degree: 3
 Signal area:
 Rated current: 16A
 Rated voltage: 400V
 Rated impulse voltage: 6KV
 Pollution degree: 3
 Rated voltage acc. to UL/CSA:600V
 Insulation resistance: $\geq 10^{10}\Omega$
 Material: Polycarbonate
 Limiting temperatures: $-40^{\circ}\text{C}\sim+125^{\circ}\text{C}$
 Flammability acc.to(UL94): V0
 Mechanical working life -mating cycles: ≥ 500



面板开孔图
Panel cut

插针:
 接线方式: 螺钉连接
 材料: 铜合金
 表面处理: 镀银
 接触电阻:
 电源: $\leq 3\Omega$
 信号: $\leq 1\Omega$
 线径范围:
 电源: 1.5~16mm² (AWG16-6)
 信号: 1.0~2.5mm² (AWG18-14)
 拧紧力矩:
 电源: mm² 1.5 2.5 4 6 10 16
 N·m 1.2 2 3 3 3 3
 信号: 0.5N·m

Contacts:
 Terminal: screw terminal
 Material: Brass
 Surfac: hard-silver plated
 Contact resistance:
 Power arera: $\leq 3\text{m}\Omega$
 Signal area: $\leq 1\text{m}\Omega$
 Crimp terminal
 Power arera:
 Wire gauge--mm²: 1.5~16mm²
 Wire gauge--AWG: 16-6
 Signal area:
 Wire gauge--mm²: 1.0~2.5mm²
 Wire gauge--AWG: 18-14
 Tightening/Test torque:
 Power arera: mm² 1.5 2.5 4 6 10 16
 N·m 1.2 2 3 3 3 3
 Signal area: 0.5N·m



Tolerance	SIGNATURE	DATE	Units	mm
0~ ≤ 20 ± 0.15	DRAW		Size	A4
20~ ≤ 50 ± 0.25	DESIGN		Scale	
50~ ≤ 80 ± 0.35	CHECK		Sheet	
80~ ≤ 120 ± 0.50	APPROVE		Proj.	



PART NAME: HZW-HK-4/2-F				
Drawing NO.				REV
Material				A