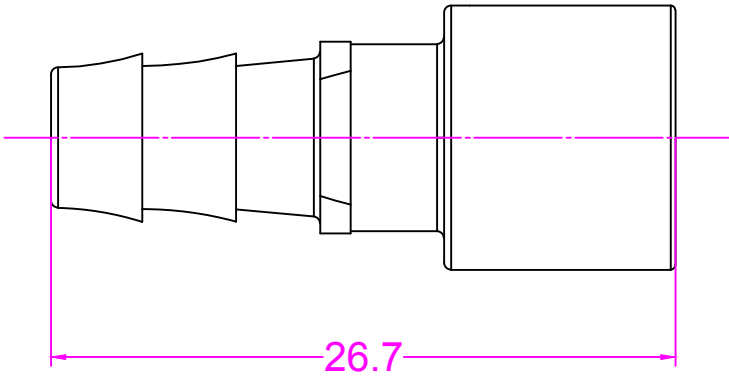
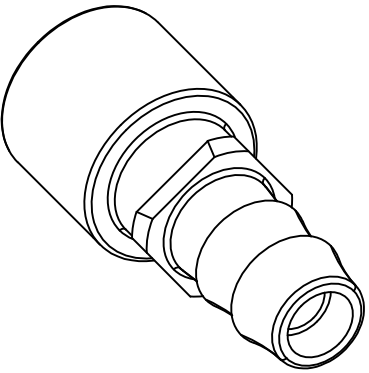



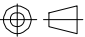
REVISION DATA				
SYM	ECN	DESCRIPTION	DATE	APPROVED



技术参数:
 材料: 聚甲醛
 颜色: 黑色
 软管内径: 6.0/1/4"mm
 工作压力: 最大 8 bar/116 psi
 密封圈材料: 丁晴橡胶
 可插拔cishu: ≥500

Technical specification:
 Material:delrin acetal
 Colour:black
 Tube termination:
 Internal diameter(ID):6.0/1/4"mm
 Working pressure:up to 8 bar/116 psi
 Sealing material:Buna
 Mating cycles:≥500



Tolerance		SIGNATURE	DATE	Units	mm	 宁波欧科瑞连接器有限公司 NINGBO OUKERUI CONNECTOR CO., LTD.	
0~≤20 ±0.15	DRAW			Size	A4		
20~≤50 ±0.25	DESIGN			Scale		PART NAME: HZW-PCF-6.0	
50~≤80 ±0.35	CHECK			Sheet		Drawing NO.	REV
80~≤120 ±0.50	APPROVE			Proj.		Material	A