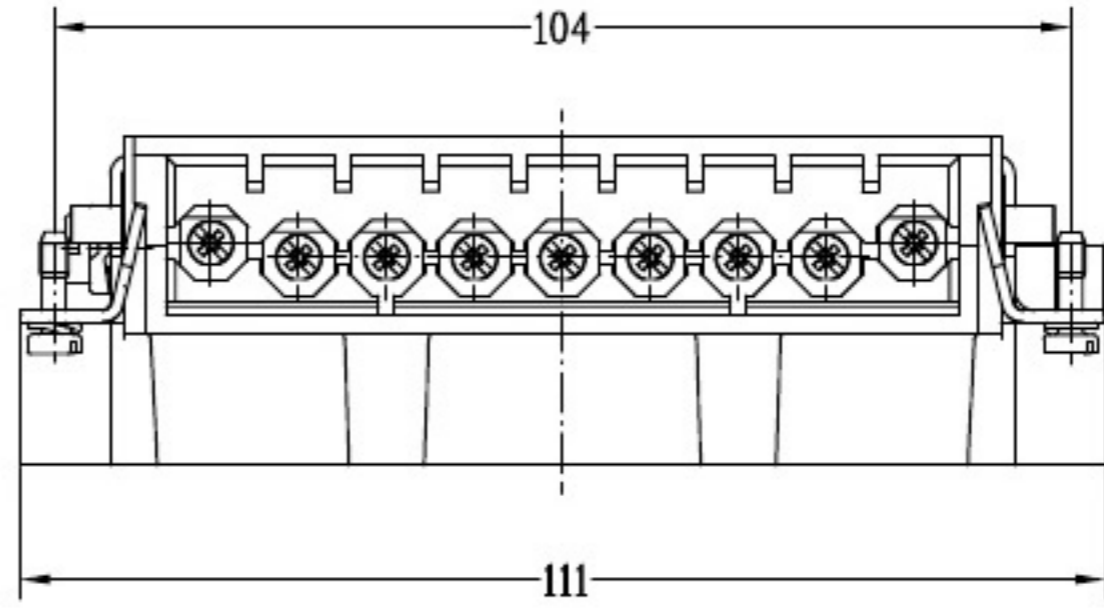
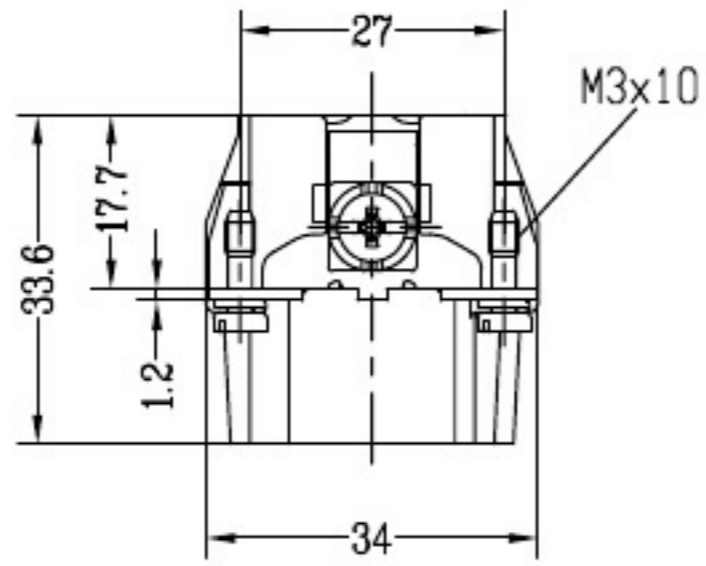
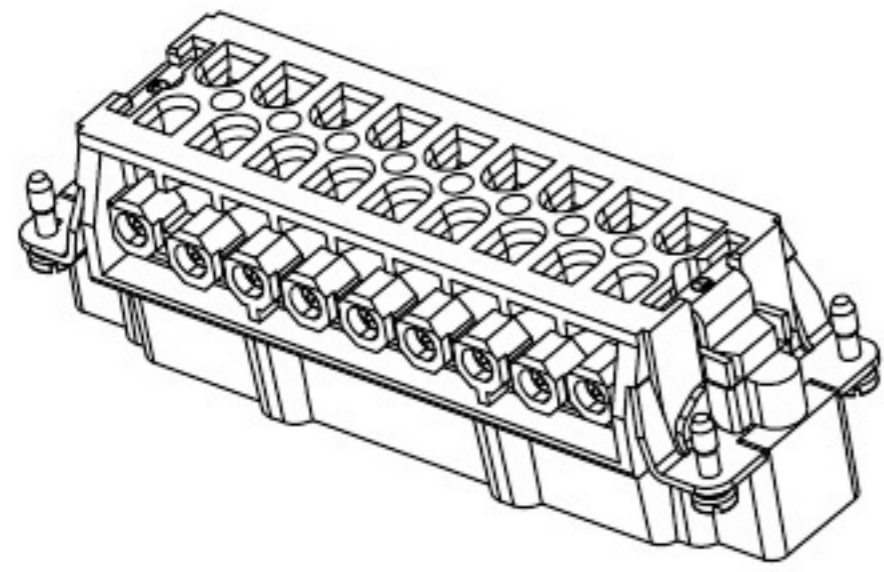
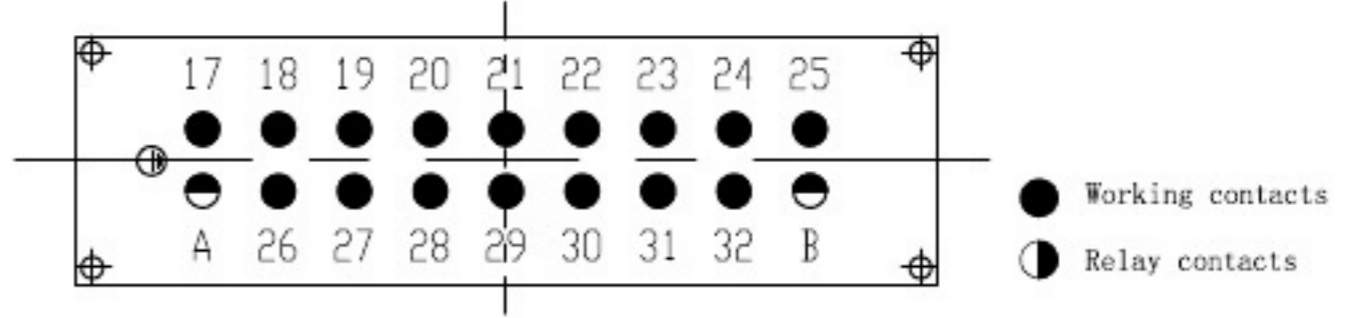

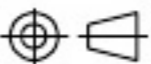


| REVISION DATA |     |             |      |          |
|---------------|-----|-------------|------|----------|
| SYM           | ECN | DESCRIPTION | DATE | APPROVED |
|               |     |             |      |          |
|               |     |             |      |          |



contact arrangement



|         |           |      |       |   |  |                      |
|---------|-----------|------|-------|---|--|----------------------|
|         | SIGNATURE | DATE | Units | mm  |  宁波欧科瑞连接器有限公司<br>NINGBO OKERUI CONNECTOR CO.,LTD. |                      |
| DRAW    |           |      | Size  | A4  | PART NAME  | HZW-HVE-032-M(17-32) |
| DESIGN  |           |      | Scale | 1:1   | Drawing NO.  | 61 276 032 171 REV   |
| CHECK   |           |      | Sheet | 1/1   | File path  | OKR.VEP.032M A0      |
| APPROVE |           |      | Proj. |  |  |                      |