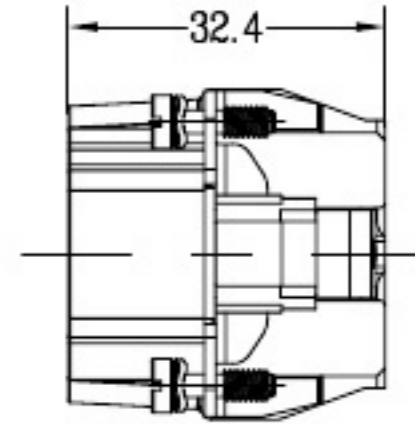
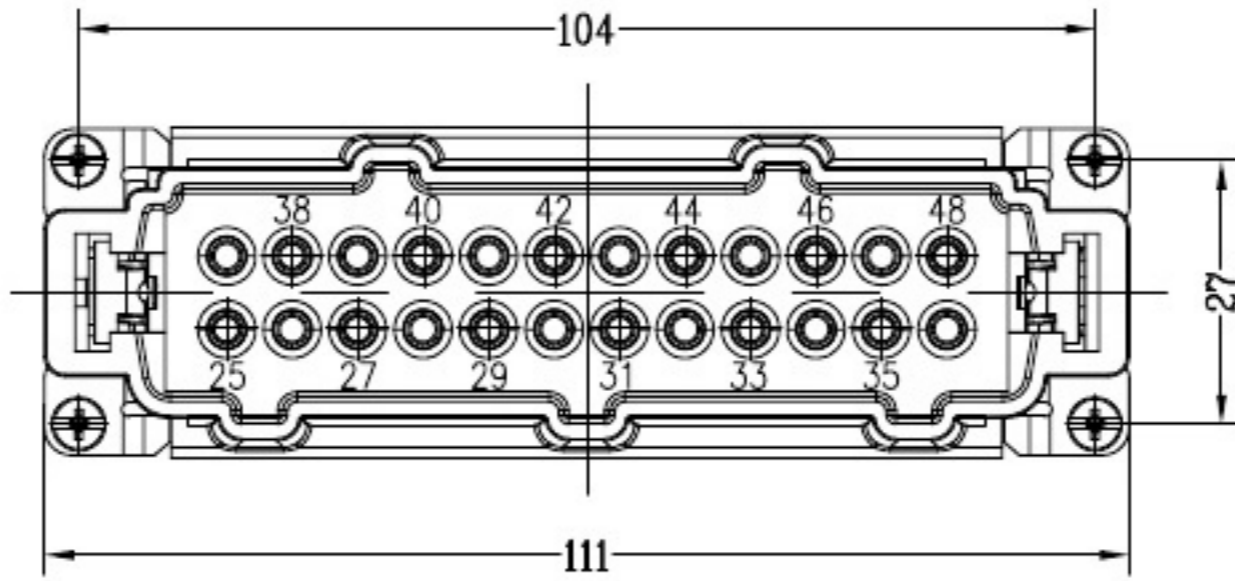
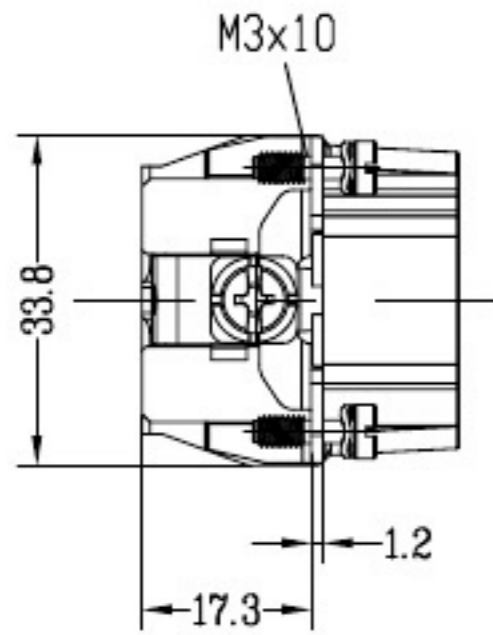
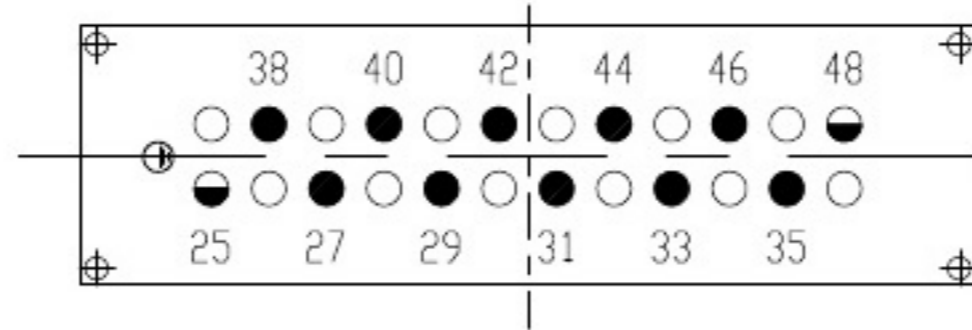


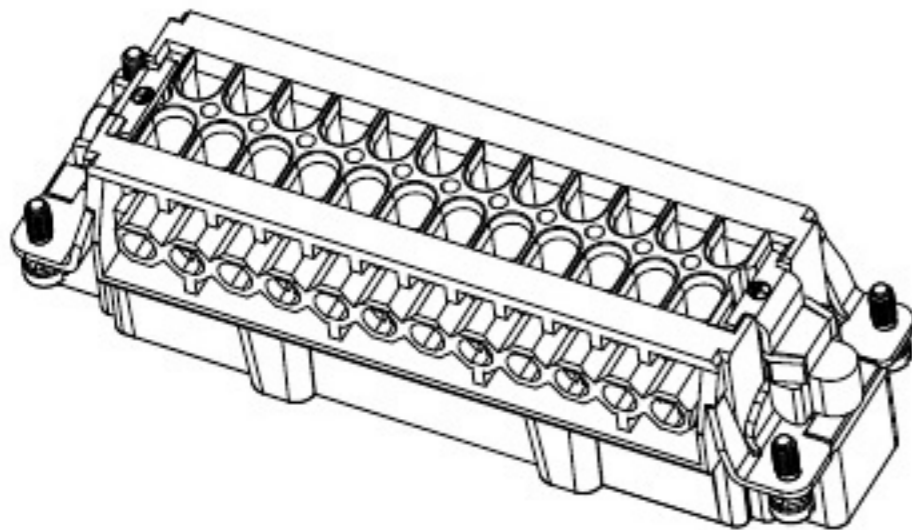
REVISION DATA				
SYM	ECN	DESCRIPTION	DATE	APPROVED




contact arrangement



- Working contacts
- ◐ Relay contacts
- Without contacts



	SIGNATURE	DATE	Units	mm	 <b>宁波欧科瑞连接器有限公司</b> NINGBO OKERUI CONNECTOR CO.,LTD.	
DRAW			Size	A4	PART NAME	<b>HZW-HVE-020-M (11-20)</b>
DESIGN			Scale	1:1	Drawing NO.	<b>61 276 020 151</b> REV
CHECK			Sheet	1/1	File path	OKR.VEP.020M A0
APPROVE			Proj.	