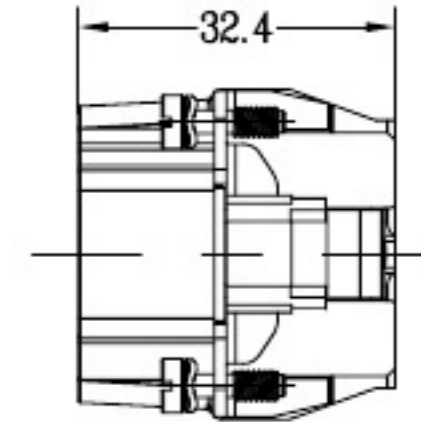
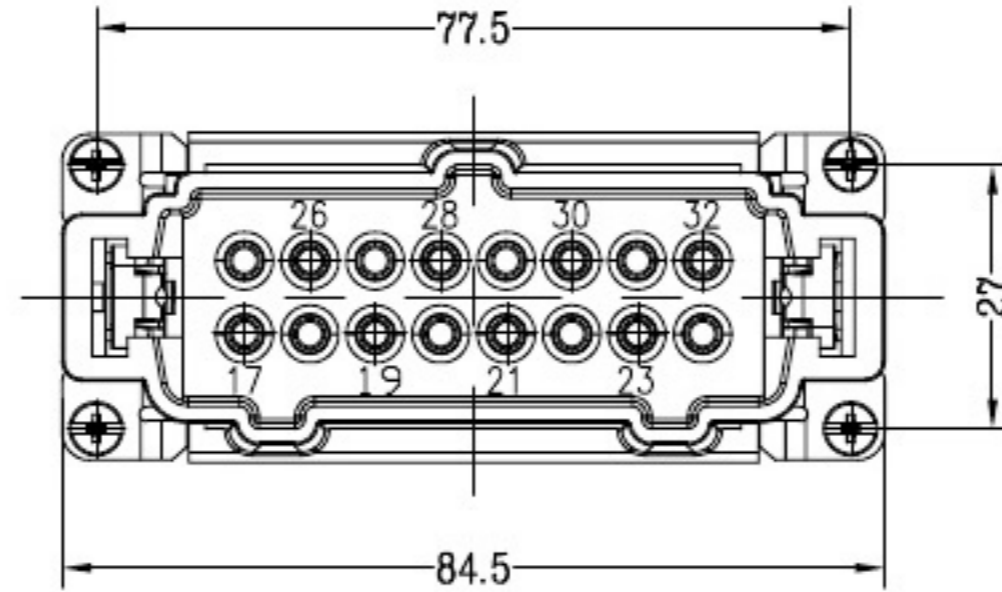
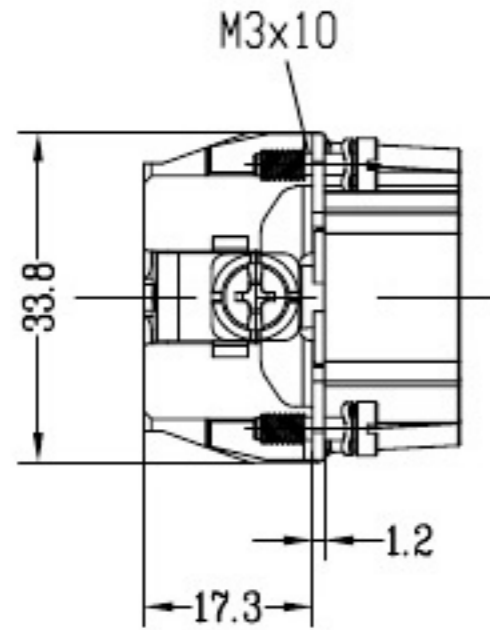
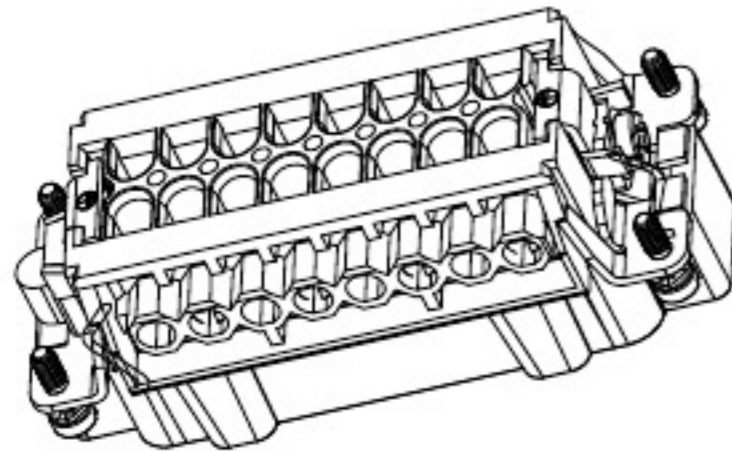
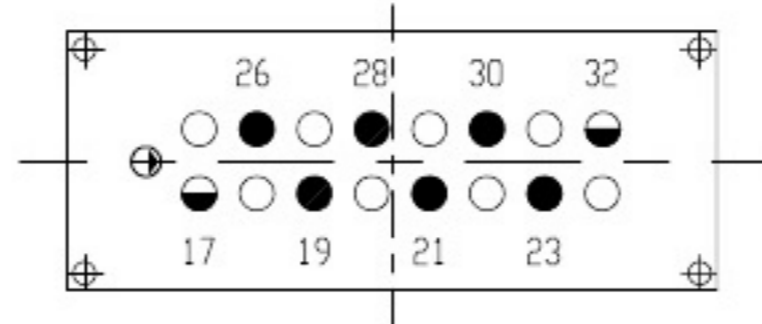



REVISION DATA				
SYM	ECN	DESCRIPTION	DATE	APPROVED



contact arrangement



	SIGNATURE	DATE	Units	mm	 宁波欧科瑞连接器有限公司 NINGBO OKERUI CONNECTOR CO.,LTD.		
DRAW			Size	A4	PART NAME	HZW-HVE-012-M (7-12)	
DESIGN			Scale	1:1	Drawing NO.	61 276 012 141	REV
CHECK			Sheet	1/1	File path	OKR.VEP.012M	A0
APPROVE			Proj.	