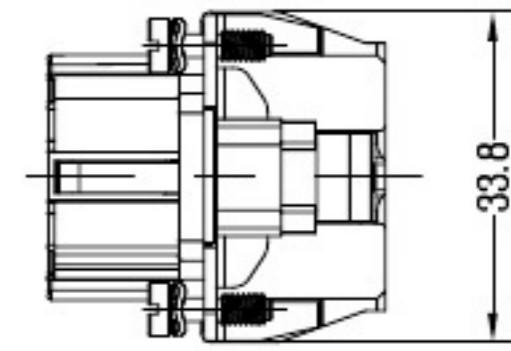
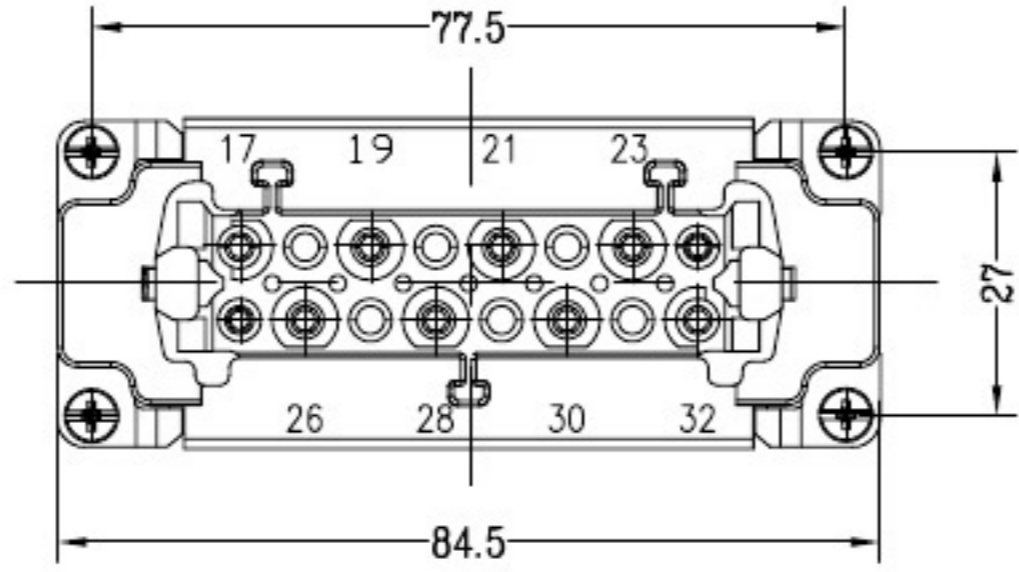
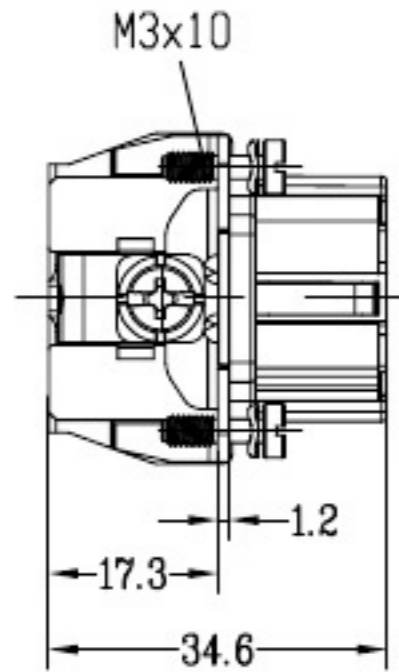
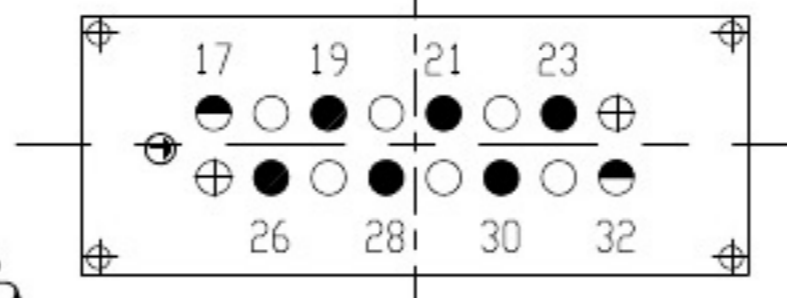


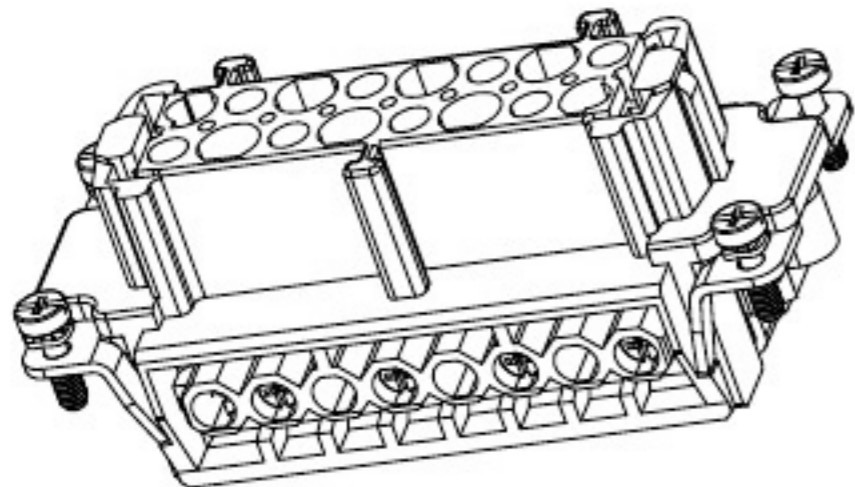
REVISION DATA				
SYM	ECN	DESCRIPTION	DATE	APPROVED




contact arrangement



- Working contacts
- ◐ Relay contacts
- ⊕ Fool proof needle
- Without contacts



	SIGNATURE	DATE	Units	mm	 宁波欧科瑞连接器有限公司 NINGBO OKERUI CONNECTOR CO.,LTD.	
DRAW			Size	A4	PART NAME	HZW-HVE-012-F (7-12)
DESIGN			Scale	1:1	Drawing NO.	61 276 012 142 REV
CHECK			Sheet	1/1	File path	OKR.VEP.012F A0
APPROVE			Proj.	