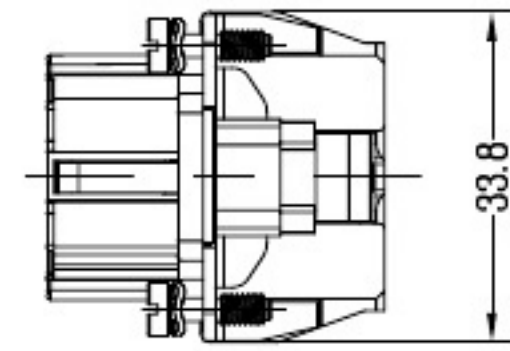
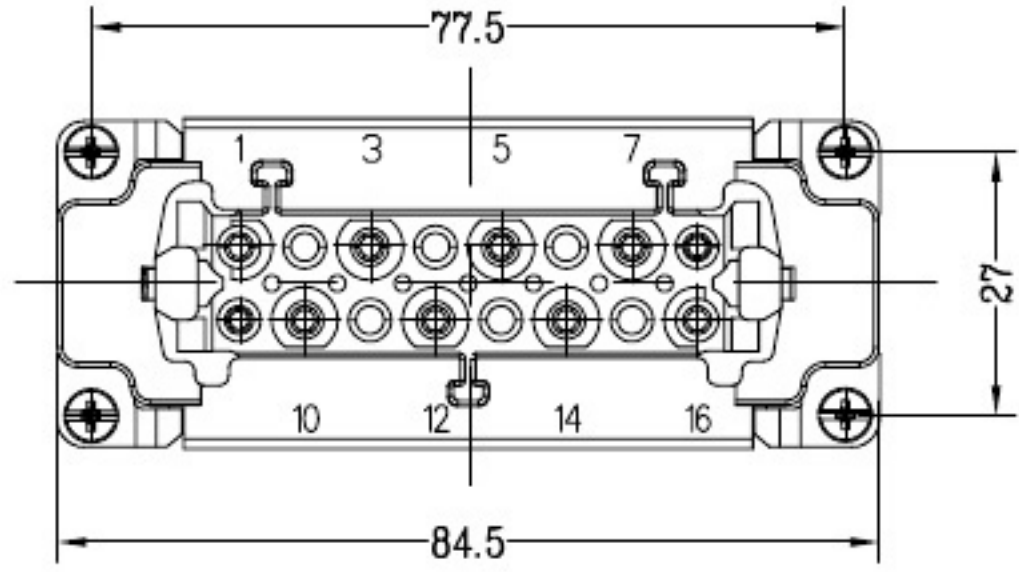
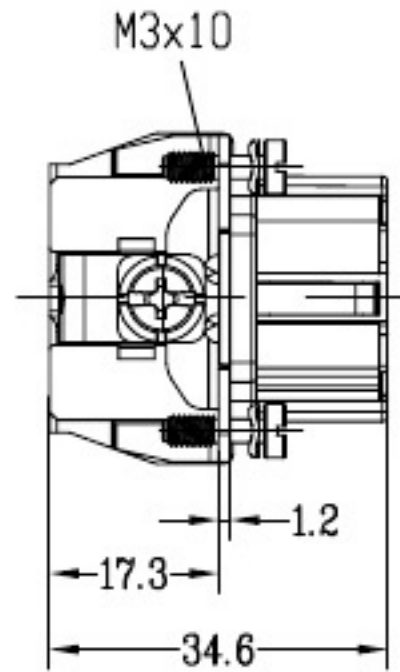
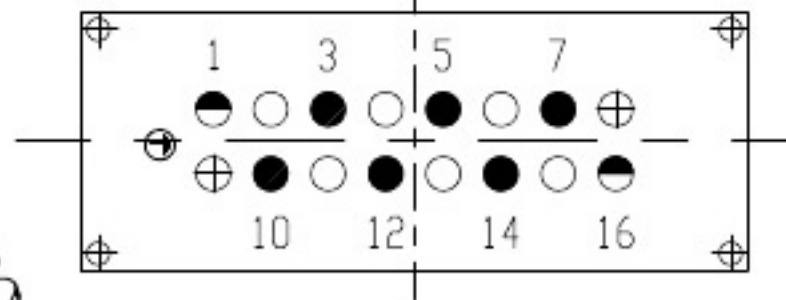


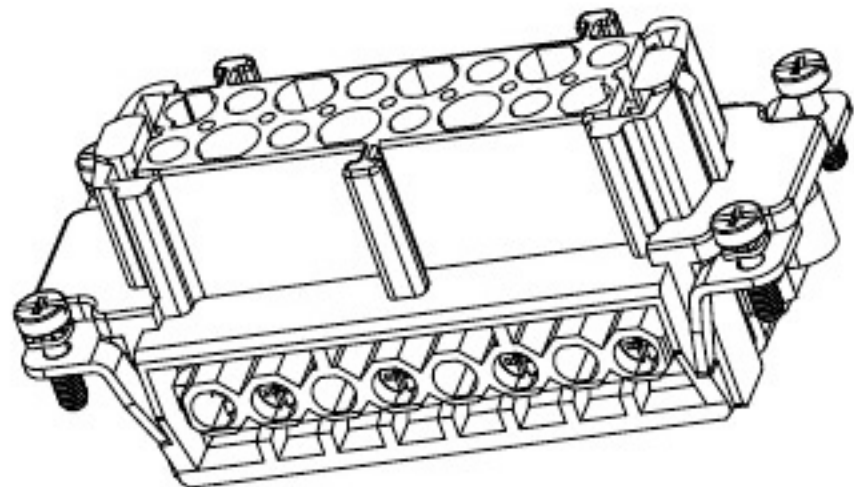
REVISION DATA				
SYM	ECN	DESCRIPTION	DATE	APPROVED


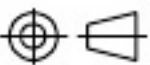


contact arrangement



- Working contacts
- ◐ Relay contacts
- ⊕ Fool proof needle
- Without contacts



	SIGNATURE	DATE	Units	mm	 宁波欧科瑞连接器有限公司 NINGBO OKERUI CONNECTOR CO.,LTD.	
DRAW			Size	A4		
DESIGN			Scale	1:1	PART NAME	HZW-HVE-006-F
CHECK			Sheet	1/1	Drawing NO.	61 276 006 122 REV
APPROVE			Proj.		File path	OKR.VEP.006F A0