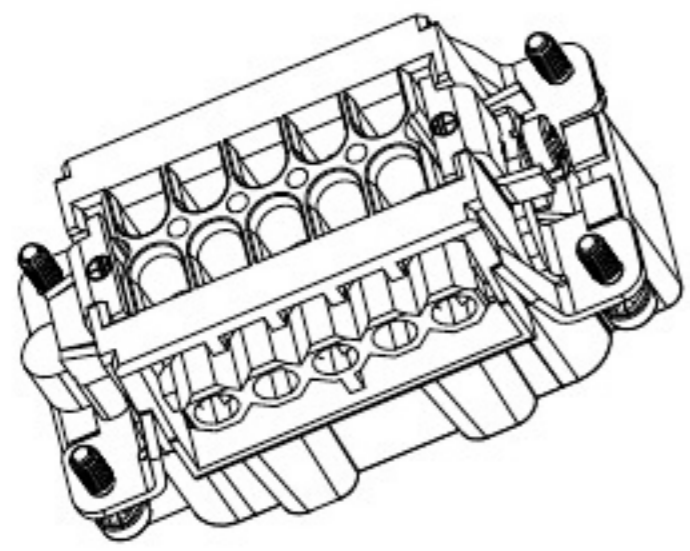
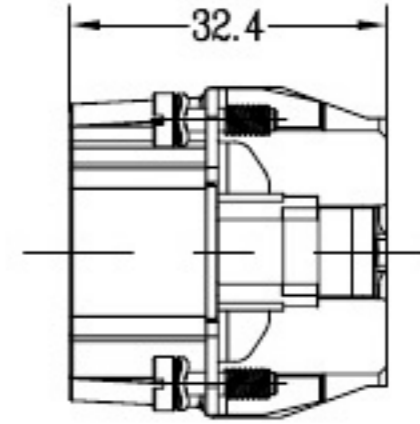
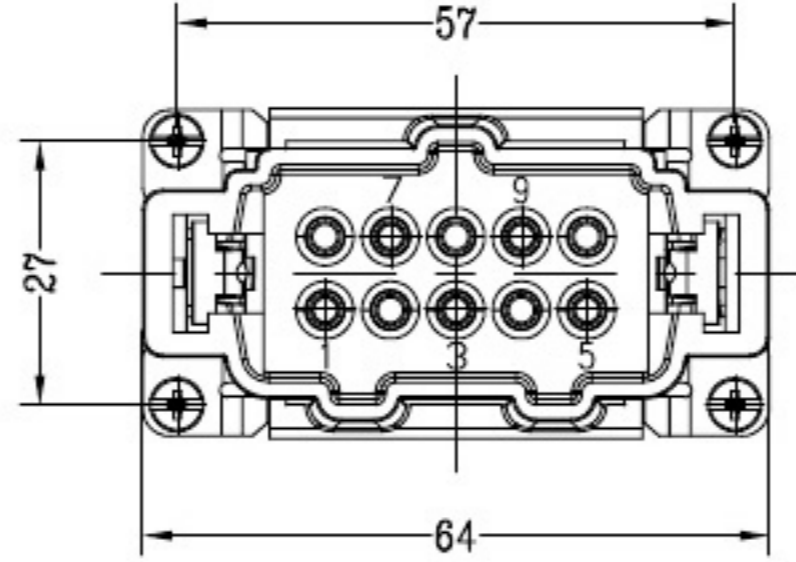
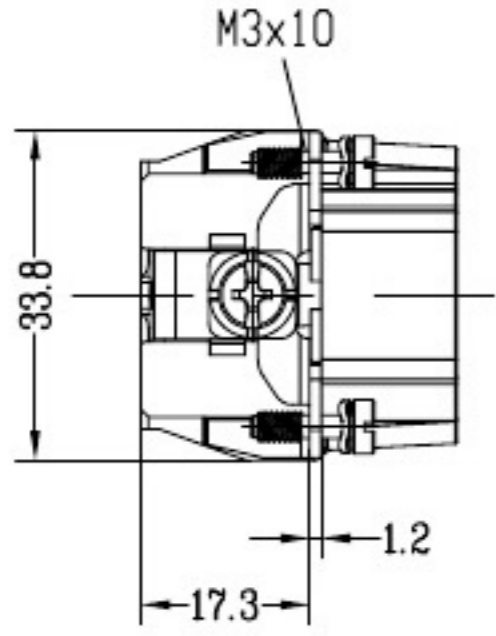
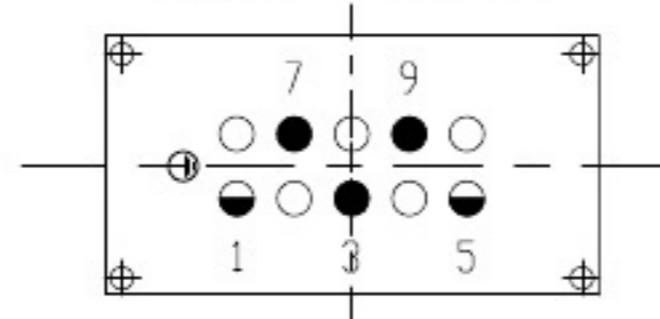



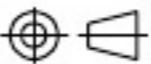
REVISION DATA				
SYM	ECN	DESCRIPTION	DATE	APPROVED



contact arrangement



- Working contacts
- ◐ Relay contacts
- Without contacts

	SIGNATURE	DATE	Units	mm	 宁波欧科瑞连接器有限公司 NINGBO OKERUI CONNECTOR CO.,LTD.		
DRAW			Size	A4			
DESIGN			Scale	1:1	PART NAME	HZW-HVE-003-M	
CHECK			Sheet	1/1	Drawing NO.	61 276 003 111	REV
APPROVE			Proj.		File path	OKR.VEP.003M	A0