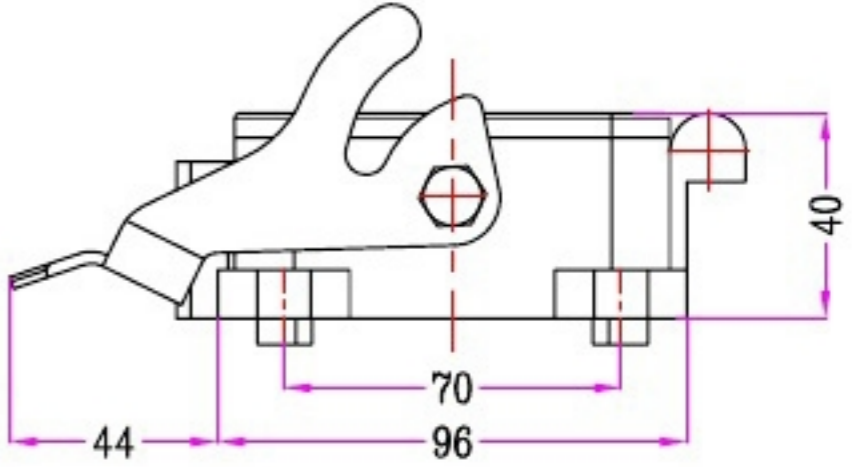
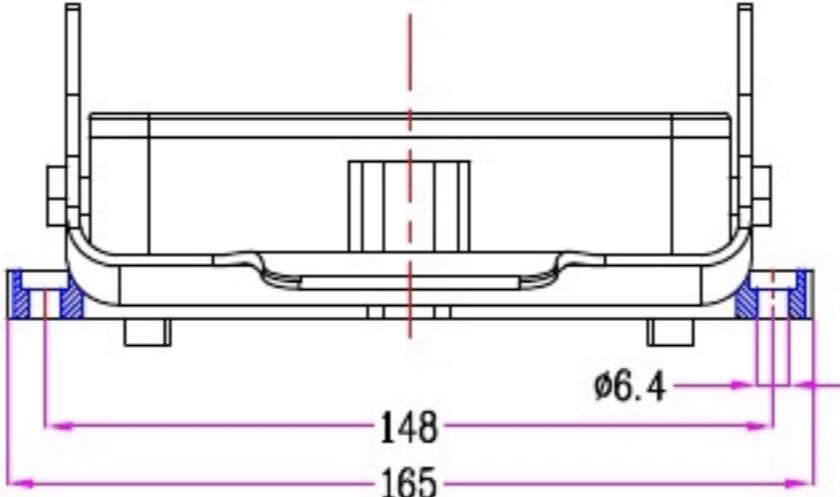
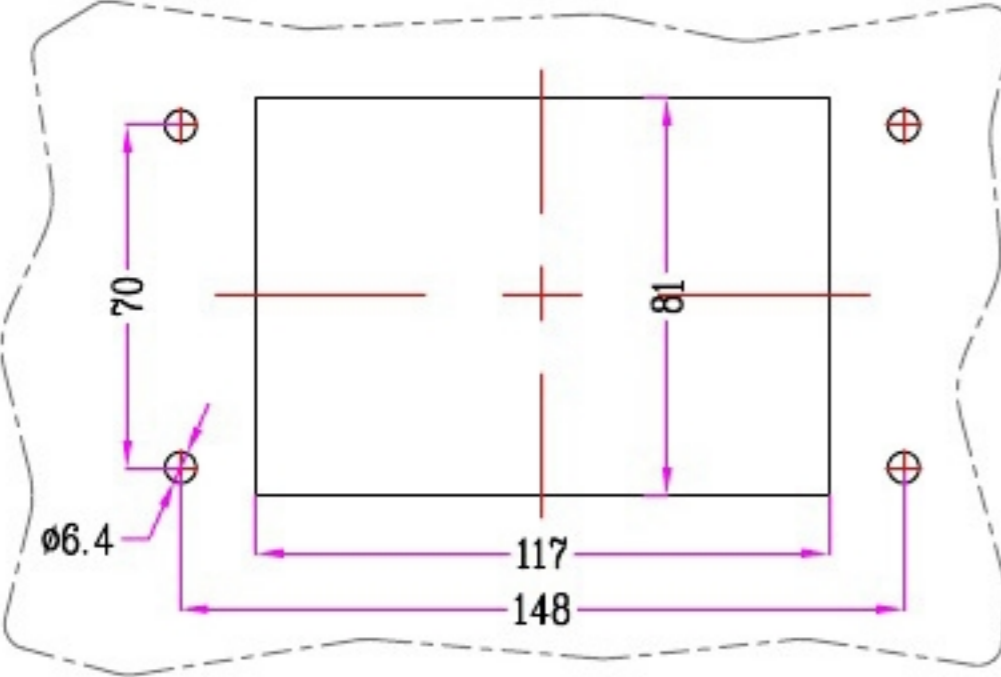



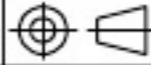
| | | | | |
|-------------------------------|------------------|----------------|--------------|-------------|
| 1 | 2 | 3 | 4 | 5 |
| Identification | Type name | Part number | Thread(M/PG) | Lever type |
| Housings Bulkhead mounting | HZW-HV48B-ST-1PL | 91 526 048 000 | | Metal |
| | | | | Your Choice |

| | | | | |
|---------------|-----|-------------|------|----------|
| REVISION DATA | | | | |
| SYM | ECN | DESCRIPTION | DATE | APPROVED |
| | | | | |
| | | | | |



Bulkhead mounting
Panel cut out



| | | | | | | | |
|---------|-----------|------|-------|---|--|------------------|-----|
| | SIGNATURE | DATE | Units | mm |  宁波欧科瑞连接器有限公司 NINGBO OKERUI CONNECTOR CO.,LTD. | | |
| DRAW | | | Size | A4 | | | |
| DESIGN | | | Scale | | TYPE NAME | HZW-HV48B-ST-1PL | |
| CHECK | | | Sheet | 1/1 | Part number | 91 526 048 000 | REV |
| APPROVE | | | Proj. |  | File path | OKR.48V.H48VL | A0 |