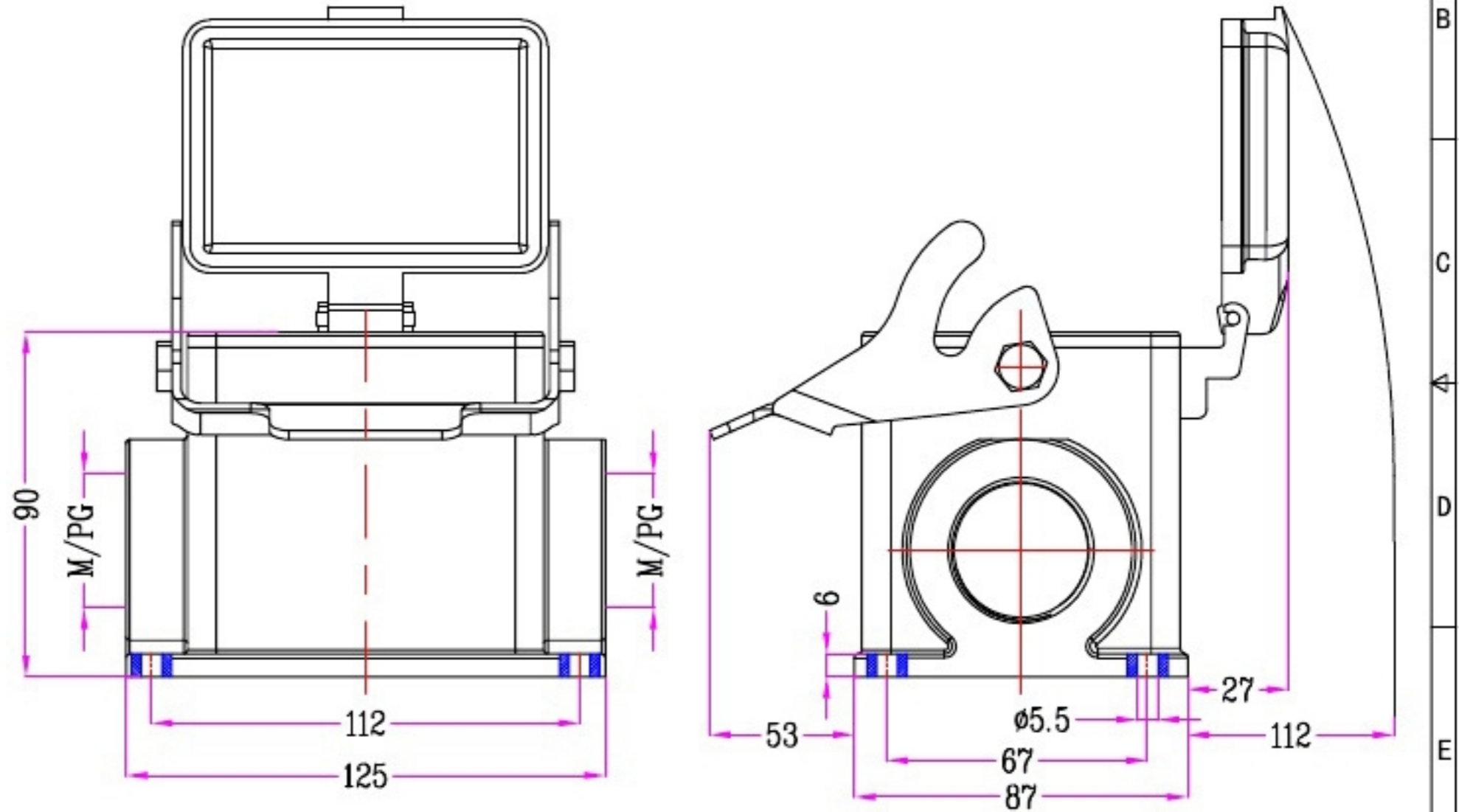

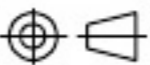


1	2	3	4	5
Identification	Type name	Part number	Thread(M/PG)	Lever type
Housings Surface mounting With thermo-Plastic cover	HZW-HV32B-SG-CV-1PL-M32	92 525 032 132	M32	Metal
	HZW-HV32B-SG-CV-1PL-2M32	92 525 032 232	2M32	Metal
	HZW-HV32B-SG-CV-1PL-M40	92 525 032 140	M40	Metal
	HZW-HV32B-SG-CV-1PL-2M40	92 525 032 240	2M40	Metal
	HZW-HV32B-SG-CV-1PL-PG29	92 525 032 129	PG29	Metal
	HZW-HV32B-SG-CV-1PL-2PG29	92 525 032 229	2PG29	Metal
	HZW-HV32B-SG-CV-1PL-PG36	92 525 032 136	PG36	Metal
	HZW-HV32B-SG-CV-1PL-2PG36	92 525 032 236	2PG36	Metal

REVISION DATA				
SYM	ECN	DESCRIPTION	DATE	APPROVED



	SIGNATURE	DATE	Units	mm	 宁波欧科瑞连接器有限公司 NINGBO OKERUI CONNECTOR CO.,LTD.	
DRAW			Size	A4		
DESIGN			Scale		TYPE NAME	HZW-HV32B-SG-CV-1PL-M/PG
CHECK			Sheet	1/1	Part number	92 525 032 XXX REV
APPROVE			Proj.		File path	OKR. 32V. H32VL A0