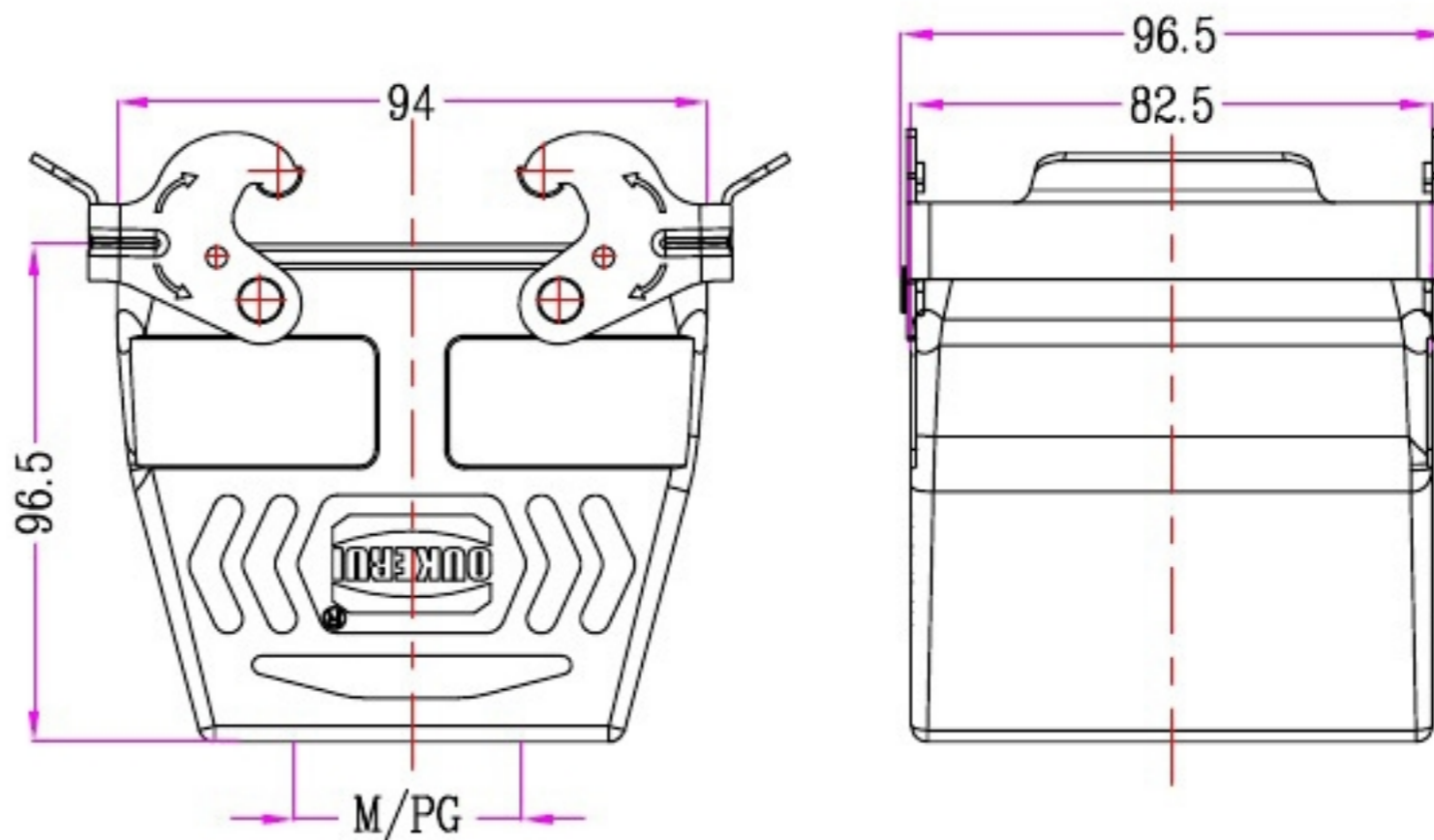



1	2	3	4	5	6	7	8
Identification	Type name	Part number	Thread(M/PG)	Lever type	Your Choice	REVISION DATA	
Housings Cable to cable	HZW-HV32B-DJK-2PL-M32	91 535 032 132	M32	Metal		SYM	ECN
	HZW-HV32B-DJK-2PL-M40	91 535 032 140	M40	Metal		DESCRIPTION	DATE
	HZW-HV32B-DJK-2PL-M50	91 535 032 150	M50	Metal		APPROVED	
	HZW-HV32B-DJK-2PL-PG29	91 535 032 129	PG29	Metal			
	HZW-HV32B-DJK-2PL-PG36	91 535 032 136	PG36	Metal			
	HZW-HV32B-DJK-2PL-PG42	91 535 032 142	PG42	Metal			



	SIGNATURE	DATE	Units	mm	 宁波欧科瑞连接器有限公司 NINGBO OUKERUI CONNECTOR CO.,LTD.		
DRAW			Size	A4	TYPE NAME	HZW-HV32B-DJK-2PL-M/PG	
DESIGN			Scale		Part number	91 535 032 XXX	REV
CHECK			Sheet	1/1	File path	OKR. 32V. H32VM	A0
APPROVE			Proj.	