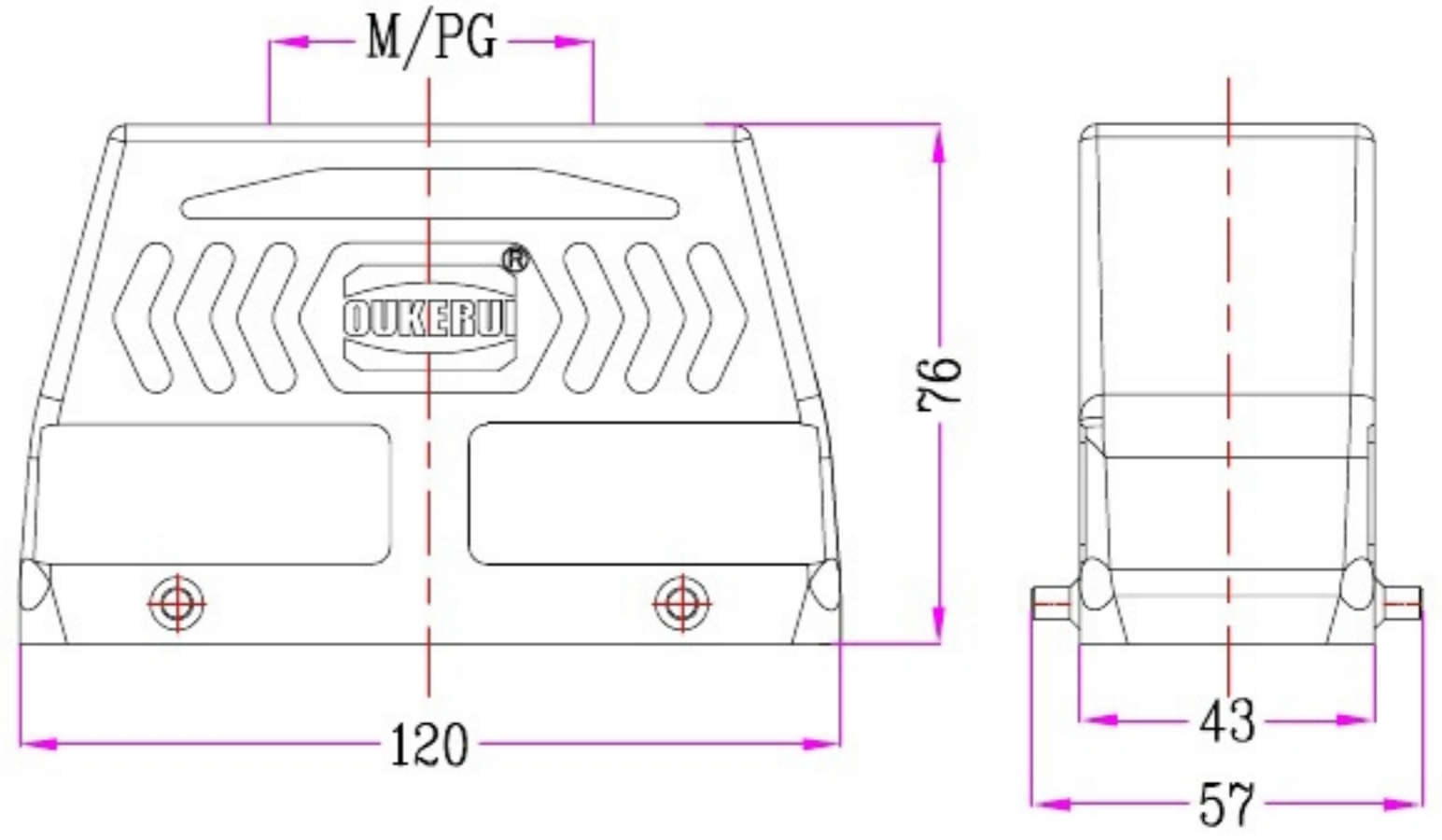



1	2	3	4	5	6	7	8
Identification	Type name	Part number	Thread(M/PG)	Your Choice	REVISION DATA		
Hoods Top entry High structure	HZW-HV24B-TKH-4g-M32	91 504 024 132	M32		SYM	ECN	DESCRIPTION
	HZW-HV24B-TKH-4g-M40	91 504 024 140	M40				DATE
	HZW-HV24B-TKH-4g-PG21	91 504 024 121	PG21				APPROVED
	HZW-HV24B-TKH-4g-PG29	91 504 024 129	PG29				



	SIGNATURE	DATE	Units	mm	 宁波欧科瑞连接器有限公司 NINGBO OKERUI CONNECTOR CO.,LTD.		
DRAW			Size	A4	TYPE NAME	HZW-HV24B-TKH-4g-M/PG	
DESIGN			Scale		Part number	91 504 024 XXX	REV
CHECK			Sheet	1/1	File path	OKR. 24V. H24VM	A0
APPROVE			Proj.	