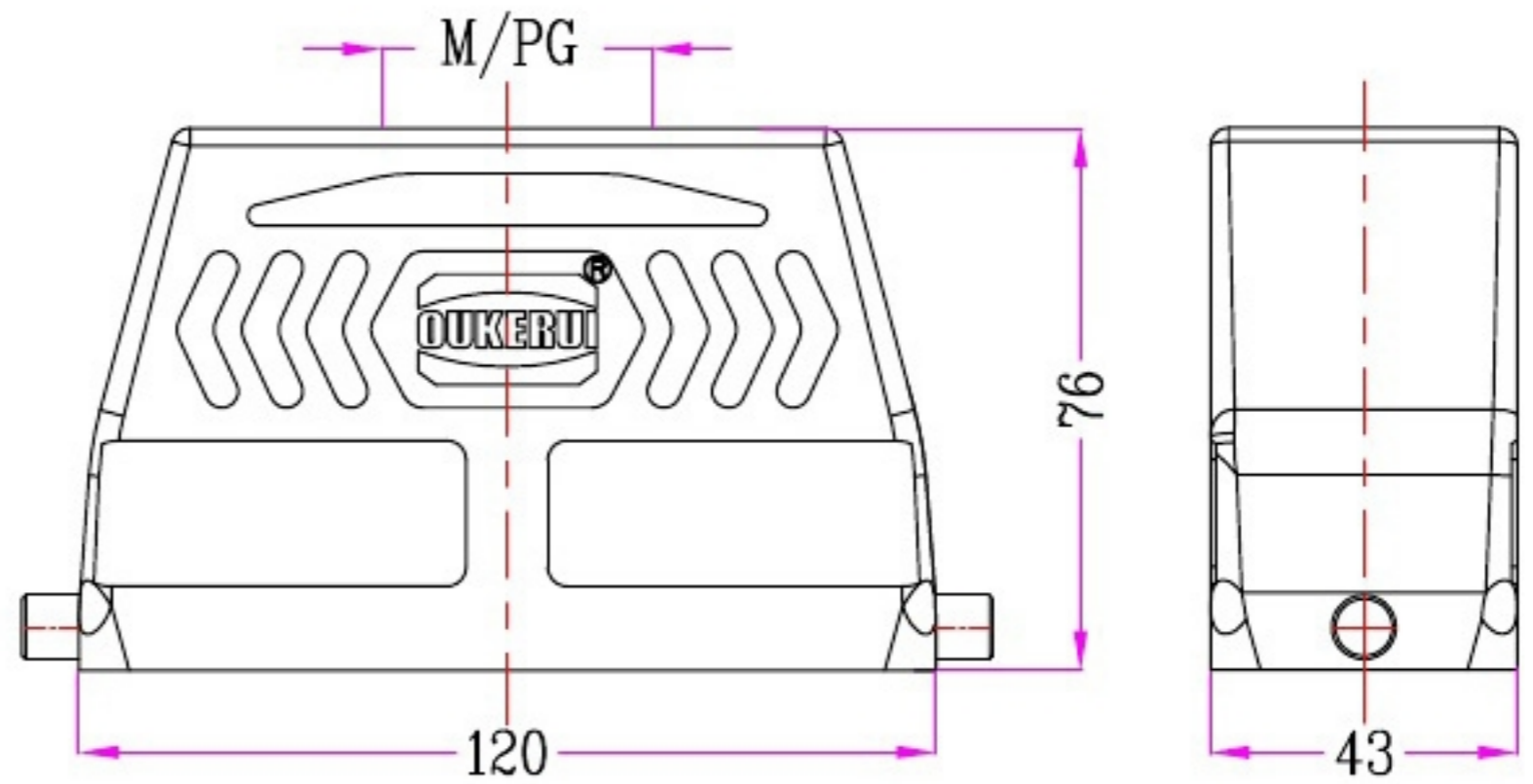

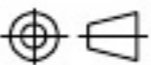


1	2	3	4	5	6	7	8		
Identification	Type name	Part number	Thread(M/PG)	Your Choice	REVISION DATA				
Hoods Top entry High structure	HZW-HV24B-TKH-2g-M32	92 504 024 132	M32		SYM	ECN	DESCRIPTION	DATE	APPROVED
	HZW-HV24B-TKH-2g-M40	92 504 024 140	M40						
	HZW-HV24B-TKH-2g-PG21	92 504 024 121	PG21						
	HZW-HV24B-TKH-2g-PG29	92 504 024 129	PG29						



	SIGNATURE	DATE	Units	mm	 宁波欧科瑞连接器有限公司 NINGBO OKERUI CONNECTOR CO.,LTD.			
DRAW			Size	A4				
DESIGN			Scale		TYPE NAME	HZW-HV24B-TKH-2g-M/PG		
CHECK			Sheet	1/1	Part number	92 504 024 XXX	REV	
APPROVE			Proj.		File path	OKR. 24V. H24VM	A0	