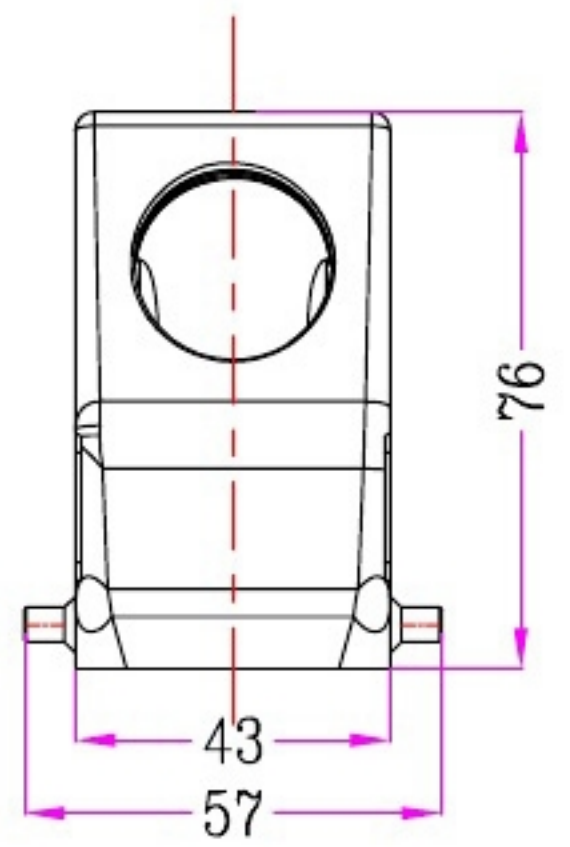
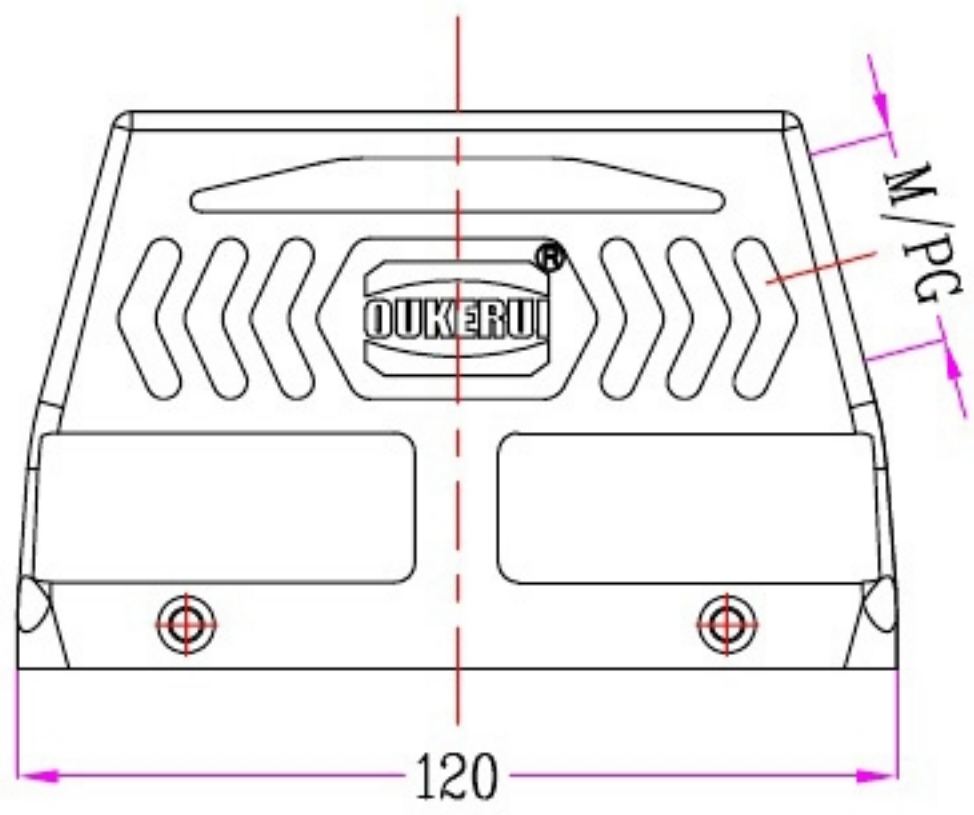

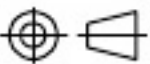


1	2	3	4	5
Identification	Type name	Part number	Thread(M/PG)	Your Choice
Hoods Side entry High structure	HZW-HV24B-SKH-4g-M32	91 514 024 132	M32	
	HZW-HV24B-SKH-4g-M40	91 514 024 140	M40	
	HZW-HV24B-SKH-4g-PG21	91 514 024 121	PG21	
	HZW-HV24B-SKH-4g-PG29	91 514 024 129	PG29	

REVISION DATA				
SYM	ECN	DESCRIPTION	DATE	APPROVED



	SIGNATURE	DATE	Units	mm	 <b>宁波欧科瑞连接器有限公司</b> NINGBO OKERUI CONNECTOR CO.,LTD.	
DRAW			Size	A4		
DESIGN			Scale		TYPE NAME	HZW-HV24B-SKH-4g-M/PG
CHECK			Sheet	1/1	Part number	91 514 024 XXX REV
APPROVE			Proj.		File path	OKR. 24V. H24VM A0