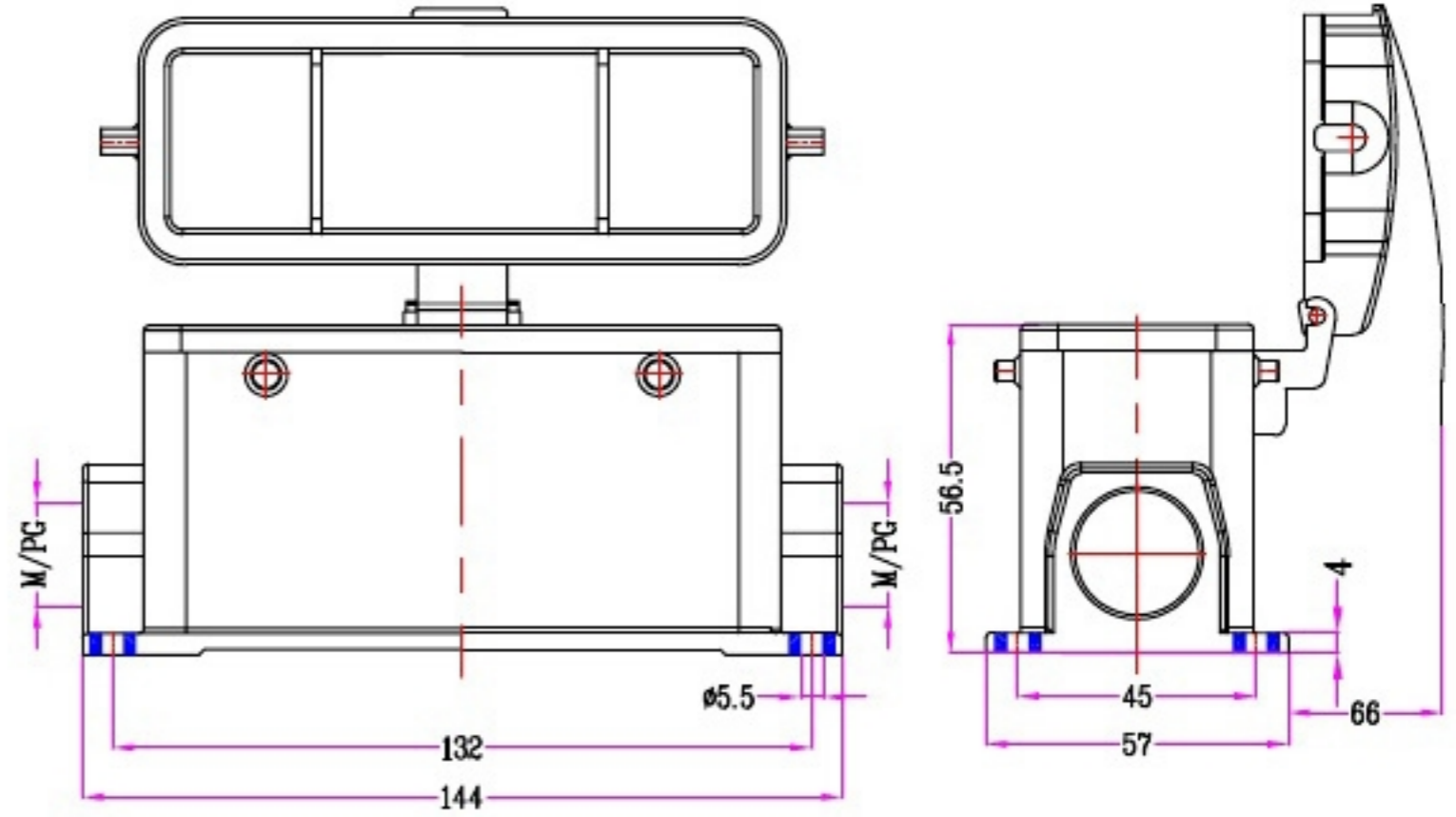



1	2	3	4	5	6	7	8			
Identification	Type name	Part number	Thread(M/PG)	Lever type	Your Choice	REVISION DATA				
Housings Surface mounting With thermo-Plastic cover	HZW-HV24B-SG-4g-CV-M25	92 524 024 125	M25			SYM	ECN	DESCRIPTION	DATE	APPROVED
	HZW-HV24B-SG-4g-CV-2M25	92 524 024 225	2M25							
	HZW-HV24B-SG-4g-CV-PG21	92 524 024 121	PG21							
	HZW-HV24B-SG-4g-CV-2PG21	92 524 024 221	2PG21							



	SIGNATURE	DATE	Units	mm	 宁波欧科瑞连接器有限公司 NINGBO OKERUI CONNECTOR CO.,LTD.	
DRAW			Size	A4	TYPE NAME HZW-HV24B-SG-4g-CV-M/PG	
DESIGN			Scale		Part number	92 524 024 XXX REV
CHECK			Sheet	1/1	File path	OKR. 24V. H24VL A0
APPROVE			Proj.	