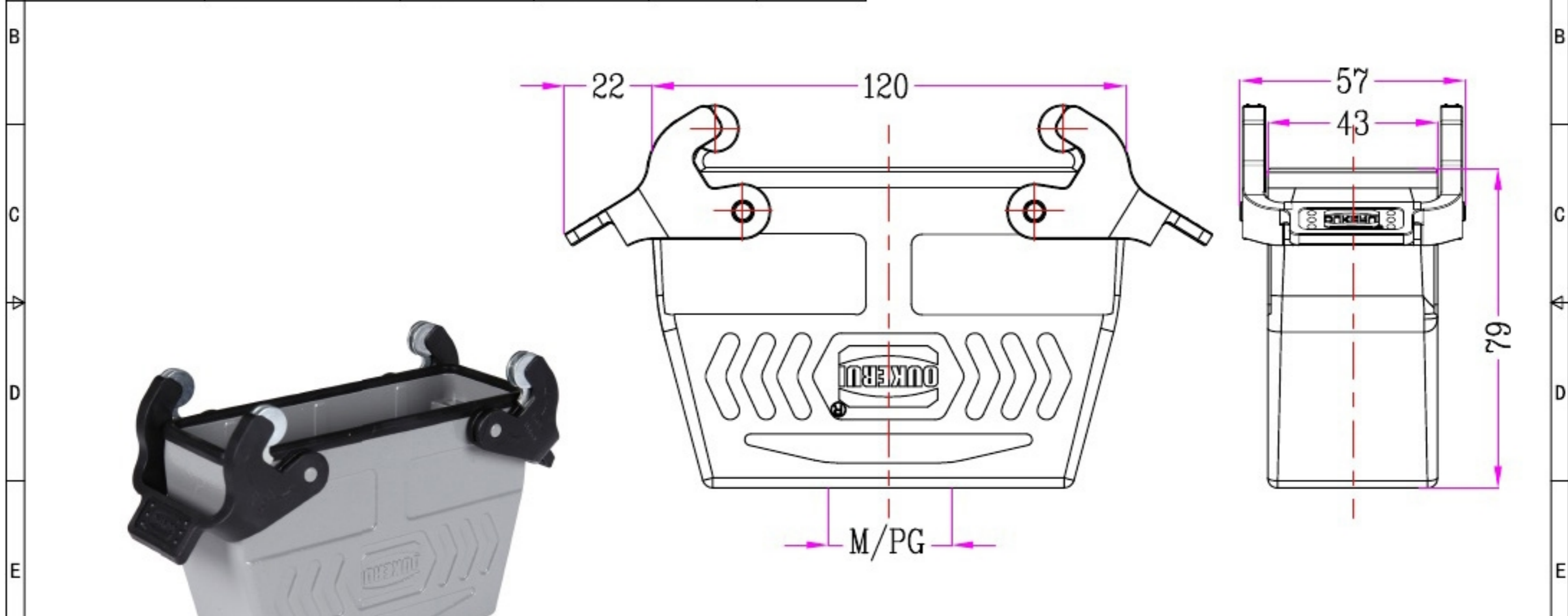

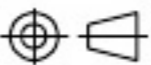


| 1  | 2                         | 3              | 4            | 5                 | 6           | 7             | 8   |             |      |          |
|--|---------------------------|----------------|--------------|-------------------|-------------|---------------|-----|-------------|------|----------|
| Identification                               | Type name                 | Part number    | Thread(M/PG) | Lever type        | Your Choice | REVISION DATA |     |             |      |          |
| Housings<br>Cable to cable<br>High structure | HZW-HV24B-DJKH-2PL/R-M32  | 96 514 024 132 | M32          | Plastic and Metal |             | SYM           | ECN | DESCRIPTION | DATE | APPROVED |
|  | HZW-HV24B-DJKH-2PL/R-M40  | 96 514 024 140 | M40          | Plastic and Metal |             |               |     |             |      |          |
|  | HZW-HV24B-DJKH-2PL/R-PG21 | 96 514 024 121 | PG21         | Plastic and Metal |             |               |     |             |      |          |
|  | HZW-HV24B-DJKH-2PL/R-PG29 | 96 514 024 129 | PG29         | Plastic and Metal |             |               |     |             |      |          |
|  | HZW-HV24B-DJKH-2PL/M-M32  | 96 514 024 132 | M32          | Metal             |             |               |     |             |      |          |
|  | HZW-HV24B-DJKH-2PL/M-M40  | 96 514 024 140 | M40          | Metal             |             |               |     |             |      |          |
|  | HZW-HV24B-DJKH-2PL/M-PG21 | 96 514 024 121 | PG21         | Metal             |             |               |     |             |      |          |
|  | HZW-HV24B-DJKH-2PL/M-PG29 | 96 514 024 129 | PG29         | Metal             |             |               |     |             |      |          |



|         |           |      |       |   |   |                            |
|---------|-----------|------|-------|---|---|----------------------------|
|         | SIGNATURE | DATE | Units | mm  |  宁波欧科瑞连接器有限公司<br>NINGBO OUKERUI CONNECTOR CO.,LTD. |                            |
| DRAW    |           |      | Size  | A4  | TYPE NAME   | HZW-HV24B-DJKH-2PL/RM-M/PG |
| DESIGN  |           |      | Scale |   | Part number   | 96 514 024 XXX REV         |
| CHECK   |           |      | Sheet | 1/1   | File path   | OKR. 24V. H24VM A0         |
| APPROVE |           |      | Proj. |  |   |                            |