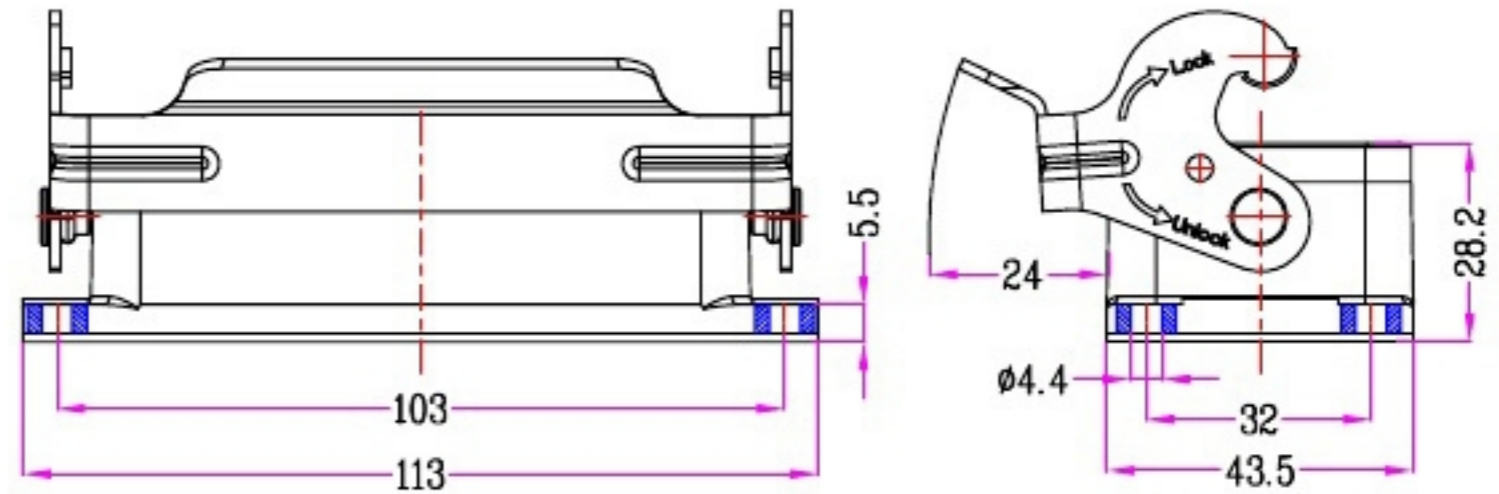
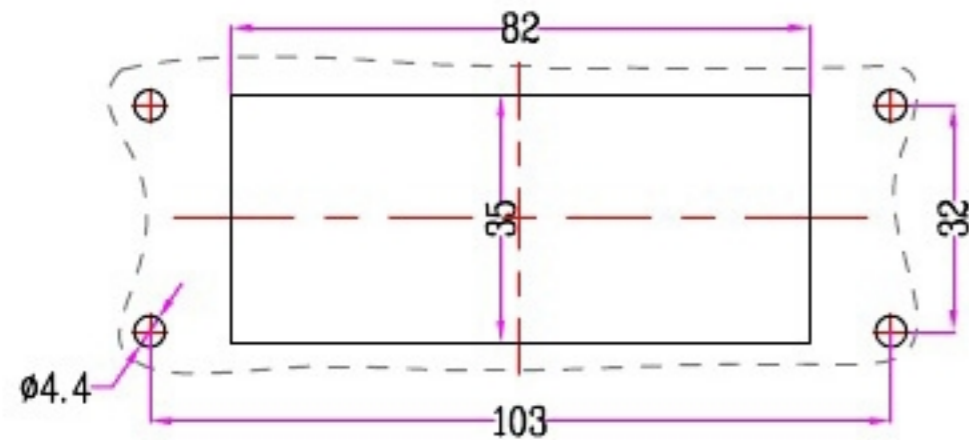



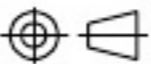
|                   |                  |                |              |            |
|-------------------|------------------|----------------|--------------|------------|
| 1                 | 2                | 3              | 4            | 5          |
| Identification    | Type name        | Part number    | Thread(M/PG) | Lever type |
| Housings          | HZW-HV16B-ST-1PL | 91 503 016 201 |              | Metal      |
| Bulkhead mounting |                  |                |              |            |

|               |     |             |      |          |
|---------------|-----|-------------|------|----------|
| REVISION DATA |     |             |      |          |
| SYM           | ECN | DESCRIPTION | DATE | APPROVED |
|               |     |             |      |          |
|               |     |             |      |          |



Bulkhead mounting  
Panel cut out



|         |           |      |       |   |  |                  |     |
|---------|-----------|------|-------|---|--|------------------|-----|
|         | SIGNATURE | DATE | Units | mm  |  宁波欧科瑞连接器有限公司<br>NINGBO OKERUI CONNECTOR CO.,LTD. |                  |     |
| DRAW    |           |      | Size  | A4  |  |                  |     |
| DESIGN  |           |      | Scale |   | TYPE NAME  | HZW-HV16B-ST-1PL |     |
| CHECK   |           |      | Sheet | 1/1   | Part number  | 91 503 016 201   | REV |
| APPROVE |           |      | Proj. |  | File path  | OKR.16V.H16VL    | A0  |