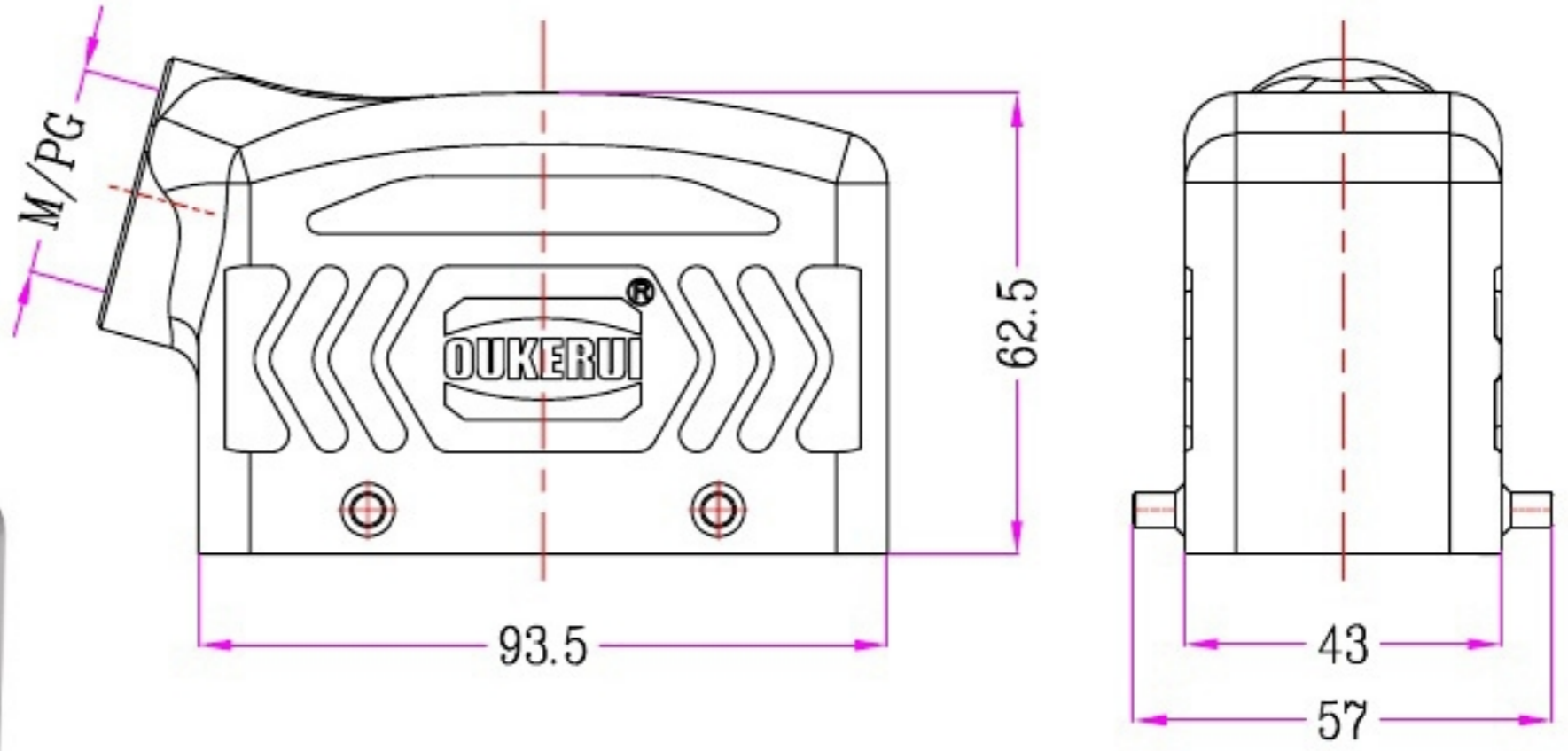



1	2		3		4	5		6		7		8	
Identification	Type name		Part number	Thread(M/PG)	Your Choice		REVISION DATA						
Hoods	HZW-HV16B-SK-4g-M25		91 513 016 025	M25			SYM	ECN	DESCRIPTION		DATE	APPROVED	
Side entry	HZW-HV16B-SK-4g-M32		91 513 016 032	M32									
	HZW-HV16B-SK-4g-PG21		91 513 016 021	PG21									



	SIGNATURE	DATE	Units	mm	 宁波欧科瑞连接器有限公司 NINGBO OUKERUI CONNECTOR CO.,LTD.		
DRAW			Size	A4	TYPE NAME HZW-HV16B-SK-4g-M/PG		
DESIGN			Scale		Part number 91 513 016 XXX		REV
CHECK			Sheet	1/1	File path OKR.16V.H16VM		A0
APPROVE			Proj.	