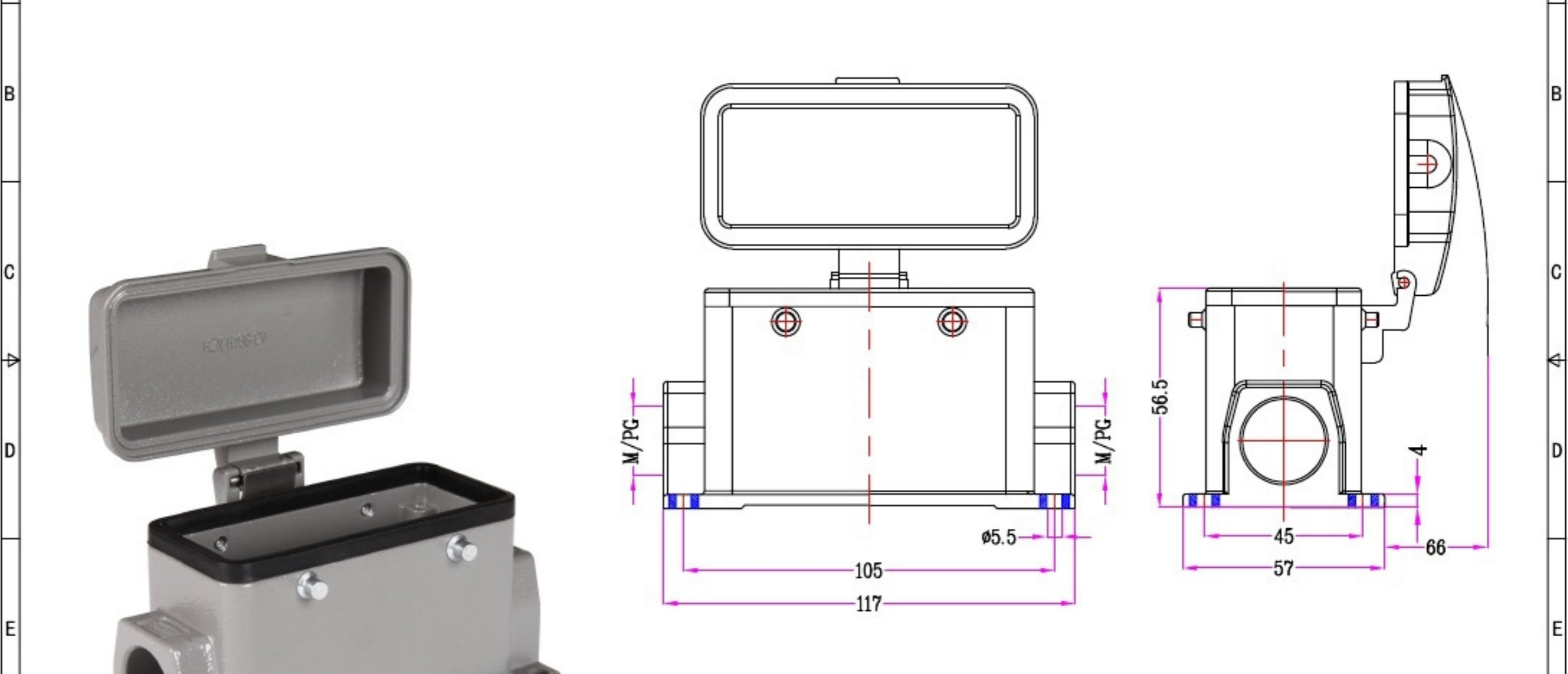

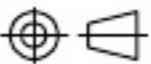


1	2	3	4	5	6	7	8
Identification	Type name	Part number	Thread(M/PG)	Lever type	Your Choice	REVISION DATA	
Housings Surface mounting With metal cover	HZW-HV16B-SG-4g-MCV-M25	92 524 016 125	M25			SYM	ECN
	HZW-HV16B-SG-4g-MCV-2M25	92 524 016 225	2M25			DESCRIPTION	DATE
	HZW-HV16B-SG-4g-MCV-PG21	92 524 016 121	PG21			APPROVED	
	HZW-HV16B-SG-4g-MCV-2PG21	92 524 016 221	2PG21				



	SIGNATURE	DATE	Units	mm	 宁波欧科瑞连接器有限公司 NINGBO OKERUI CONNECTOR CO.,LTD.	
DRAW			Size	A4		
DESIGN			Scale		TYPE NAME	HZW-HV16B-SG-4g-MCV-M/PG
CHECK			Sheet	1/1	Part number	92 524 016 XXX
APPROVE			Proj.		File path	OKR.16V.H16VL
					REV	A0