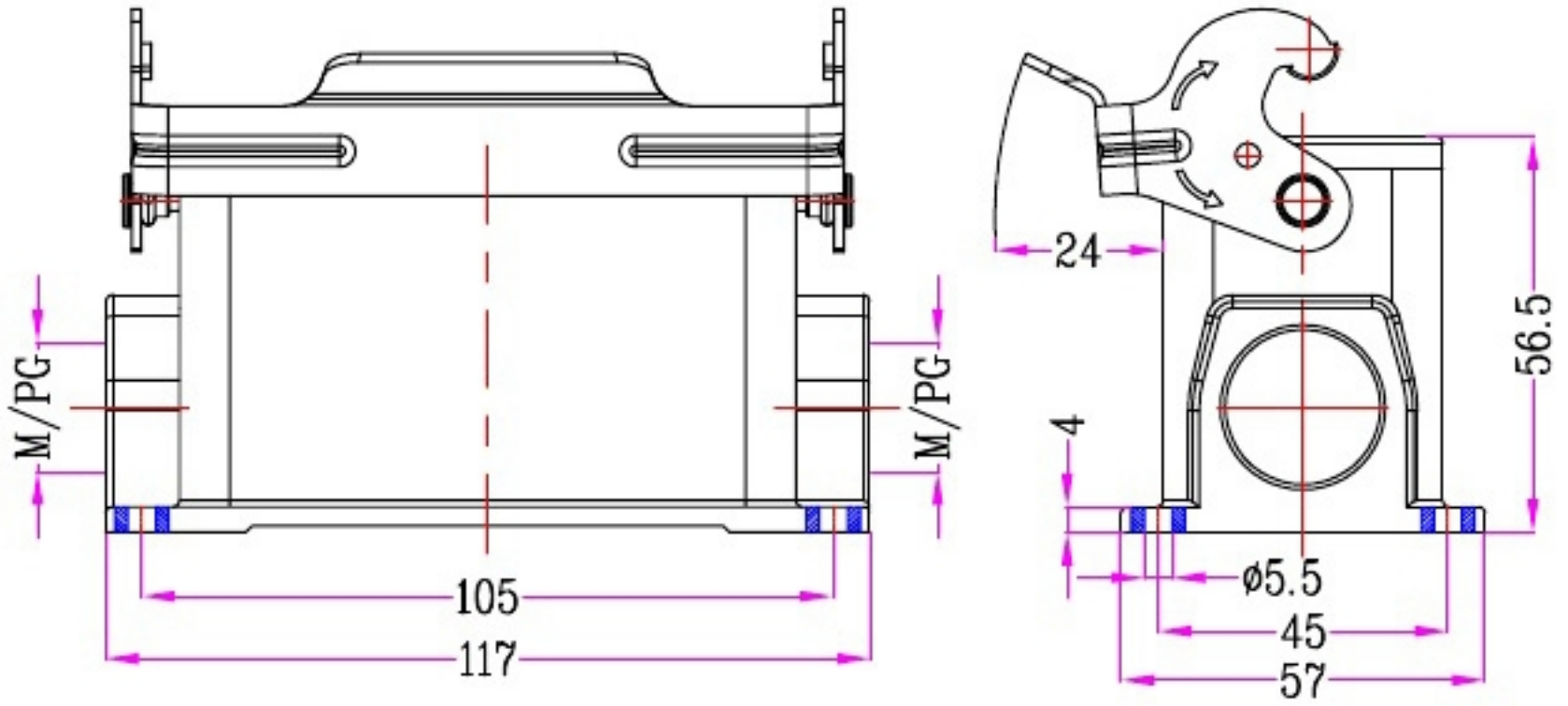
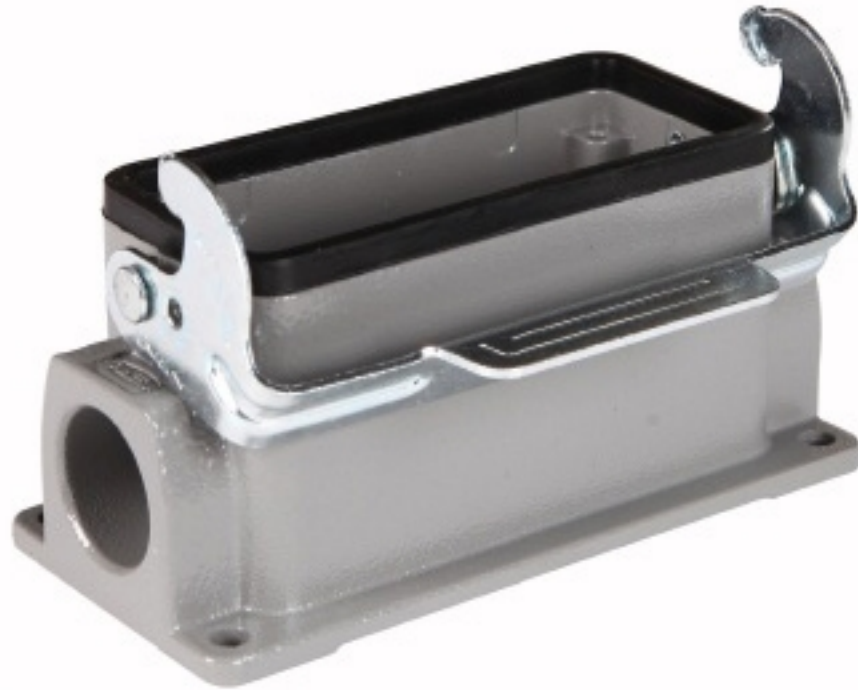



1	2	3	4	5
Identification	Type name	Part number	Thread(M/PG)	Lever type
Housings Surface mounting	HZW-HV16B-SG-1PL-M25	93 523 016 025	M25	Metal
	HZW-HV16B-SG-1PL-2M25	93 523 016 225	2M25	Metal
	HZW-HV16B-SG-1PL-PG21	93 523 016 021	PG21	Metal
	HZW-HV16B-SG-1PL-2PG21	93 523 016 221	2PG21	Metal

REVISION DATA				
SYM	ECN	DESCRIPTION	DATE	APPROVED



	SIGNATURE	DATE	Units	mm	 宁波欧科瑞连接器有限公司 NINGBO OKERUI CONNECTOR CO.,LTD.		
DRAW			Size	A4	TYPE NAME	HZW-HV16B-SG-1PL-M/PG	
DESIGN			Scale		Part number	93 523 016 XXX	REV
CHECK			Sheet	1/1	File path	OKR.16V.H16VL	A0
APPROVE			Proj.	