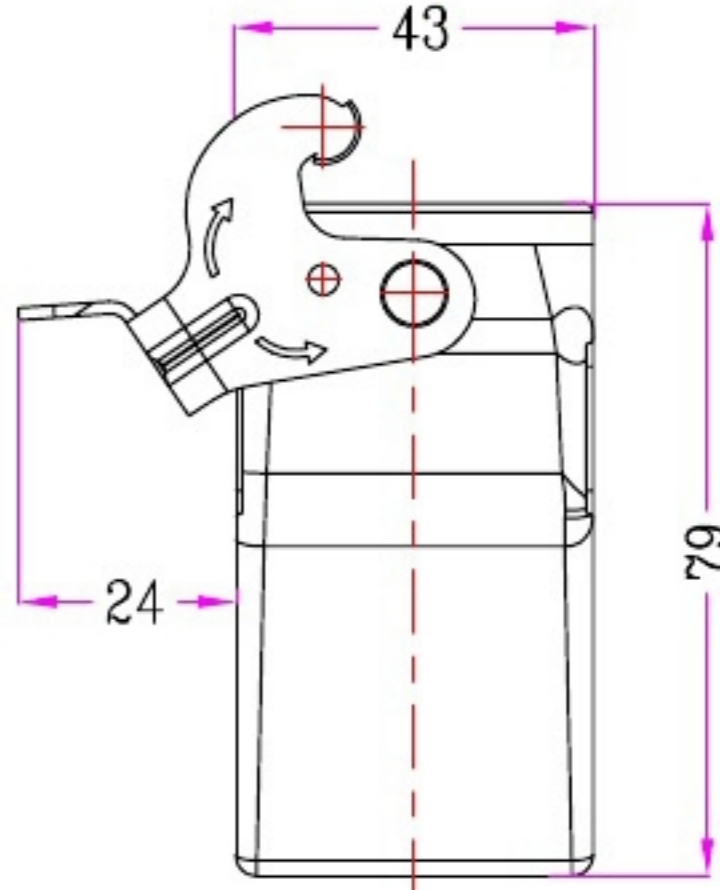
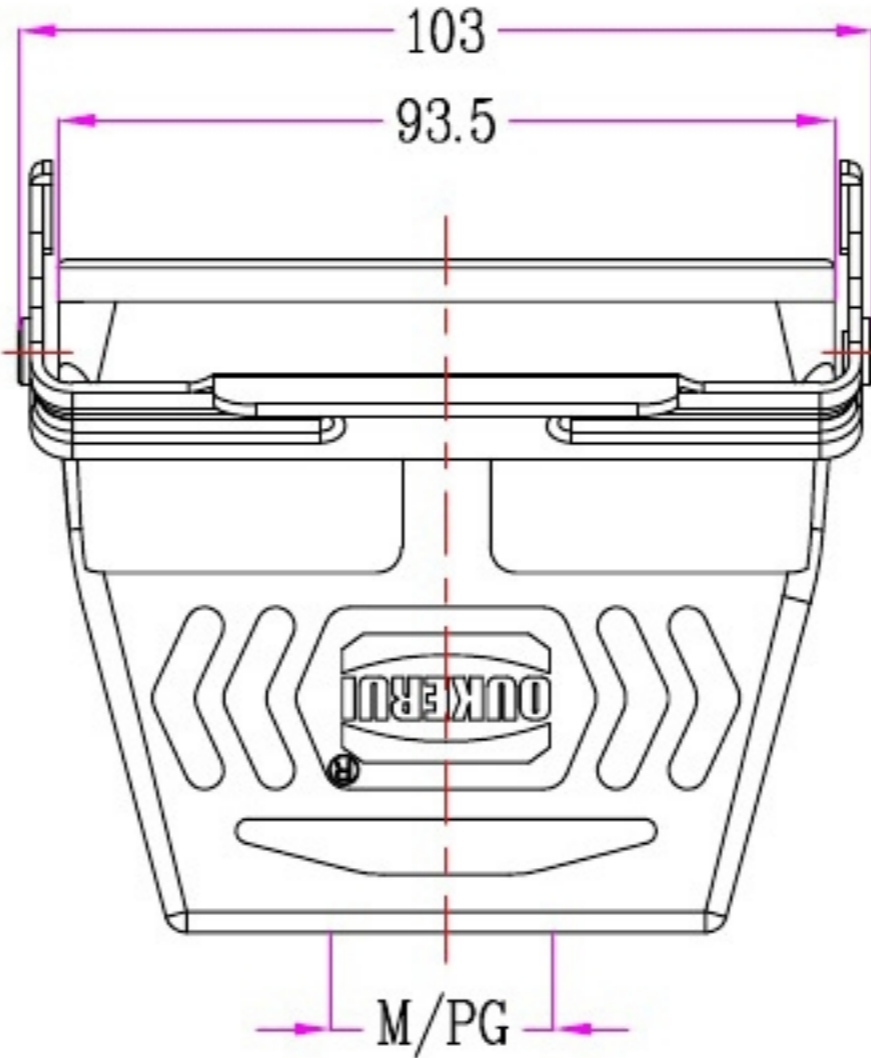



1	2		3	4	5	6		7	8	
Identification	Type name		Part number	Thread(M/PG)	Your Choice	REVISION DATA				
Housings	HZW-HV16B-DJKD-1PL-M32		95 513 016 132	M32		SYM	ECN	DESCRIPTION	DATE	APPROVED
Cable to cable	HZW-HV16B-DJKD-1PL-M40		95 513 016 140	M40						
High structure	HZW-HV16B-DJKD-1PL-PG21		95 513 016 121	PG21						
	HZW-HV16B-DJKD-1PL-PG29		95 513 016 129	PG29						



	SIGNATURE	DATE	Units	mm	 宁波欧科瑞连接器有限公司 NINGBO OUKERUI CONNECTOR CO.,LTD.	
DRAW			Size	A4	TYPE NAME HZW-HV16B-DJKH-1PL-M/PG	
DESIGN			Scale		Part number 95 513 016 XXX REV	
CHECK			Sheet	1/1	File path OKR.16V.H16VM A0	
APPROVE			Proj.	