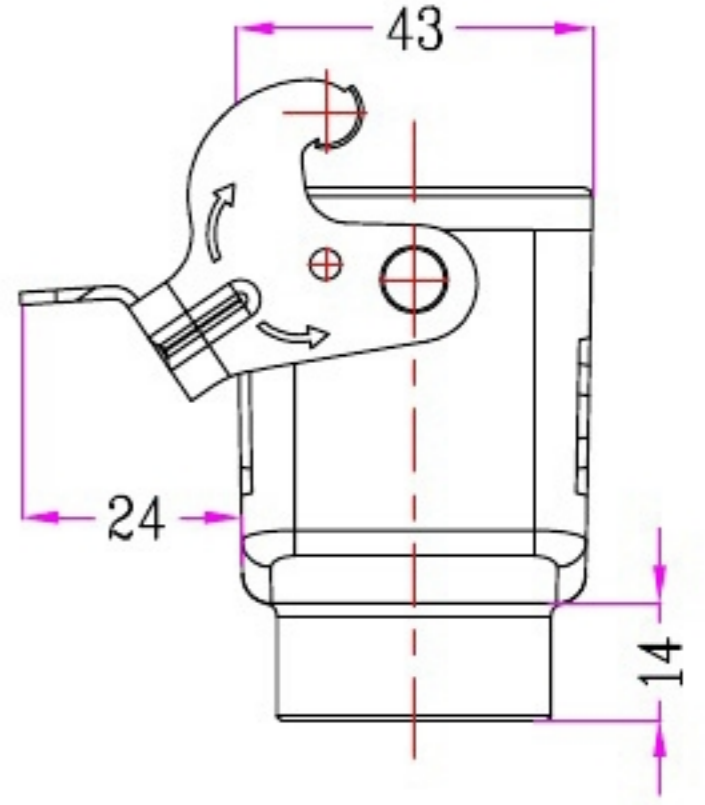
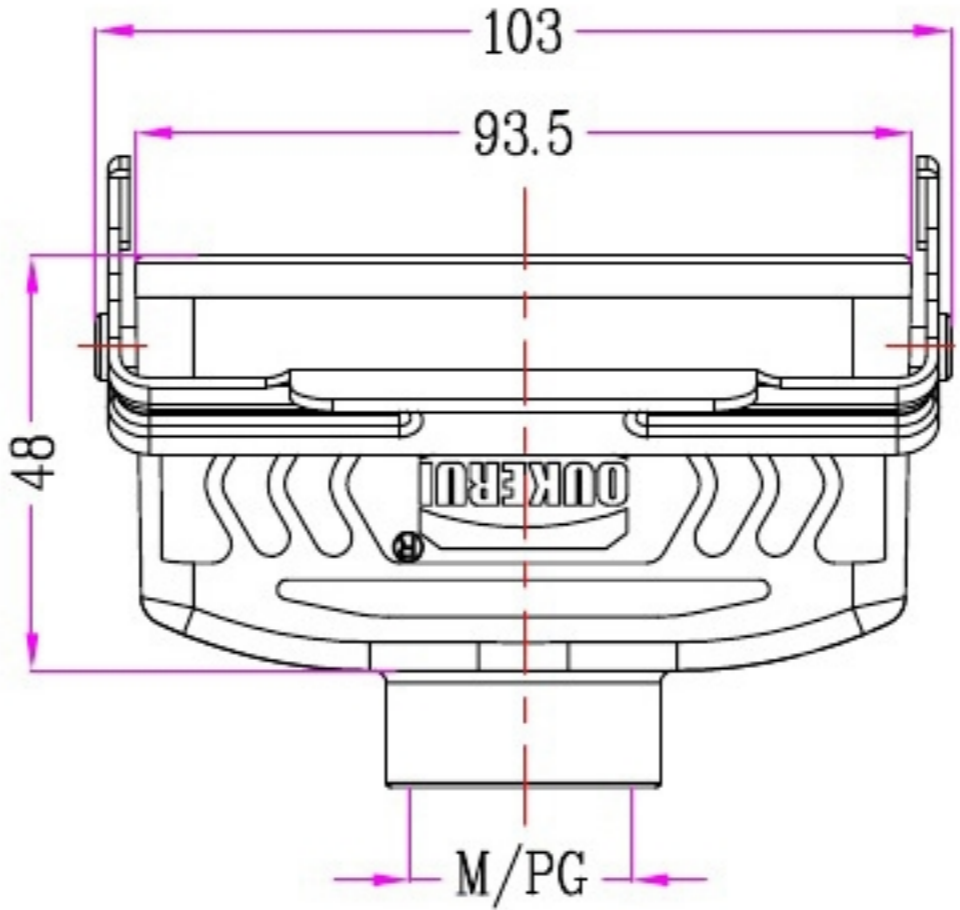



1	2	3	4	5	6	7	8		
Identification	Type name	Part number	Thread(M/PG)	Your Choice	REVISION DATA				
Housings Cable to cable	HZW-HV16B-DJK-1PL-M25	95 503 016 125	M25		SYM	ECN	DESCRIPTION	DATE	APPROVED
	HZW-HV16B-DJK-1PL-M32	95 503 016 132	M32						
	HZW-HV16B-DJK-1PL-PG21	95 503 016 121	PG21						



	SIGNATURE	DATE	Units	mm	 宁波欧科瑞连接器有限公司 NINGBO OKERUI CONNECTOR CO.,LTD.		
DRAW			Size	A4	TYPE NAME HZW-HV16B-DJK-1PL-M/PG		
DESIGN			Scale		Part number	95 503 016 XXX	REV
CHECK			Sheet	1/1	File path	OKR.16V.H16VM	A0
APPROVE			Proj.	