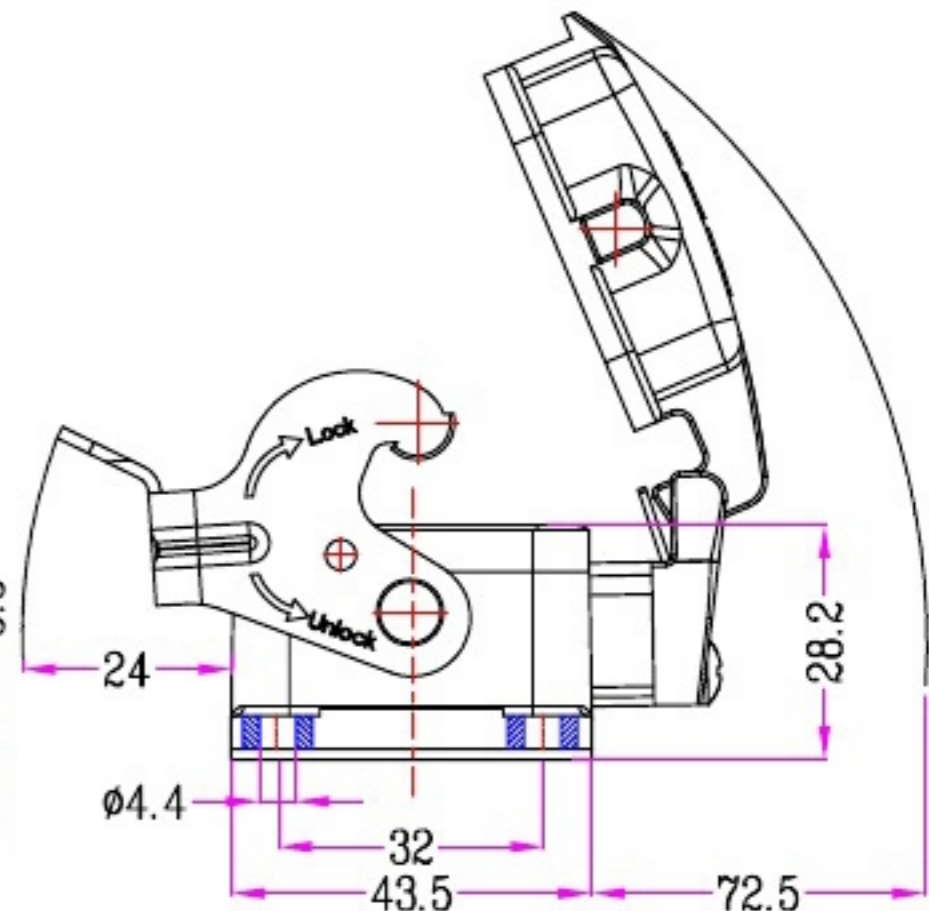
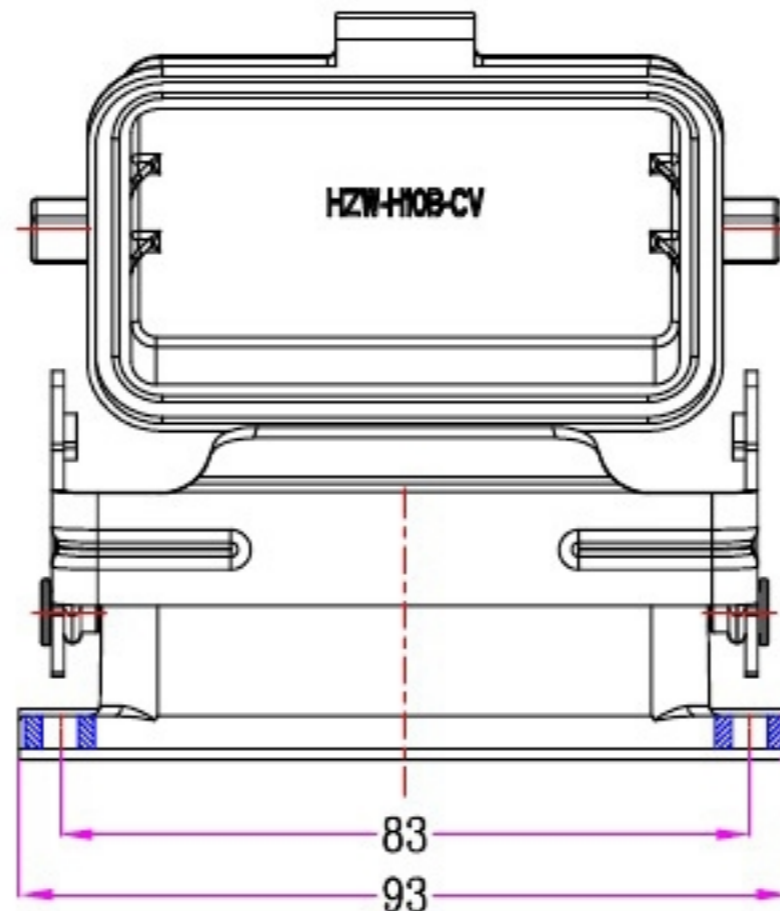
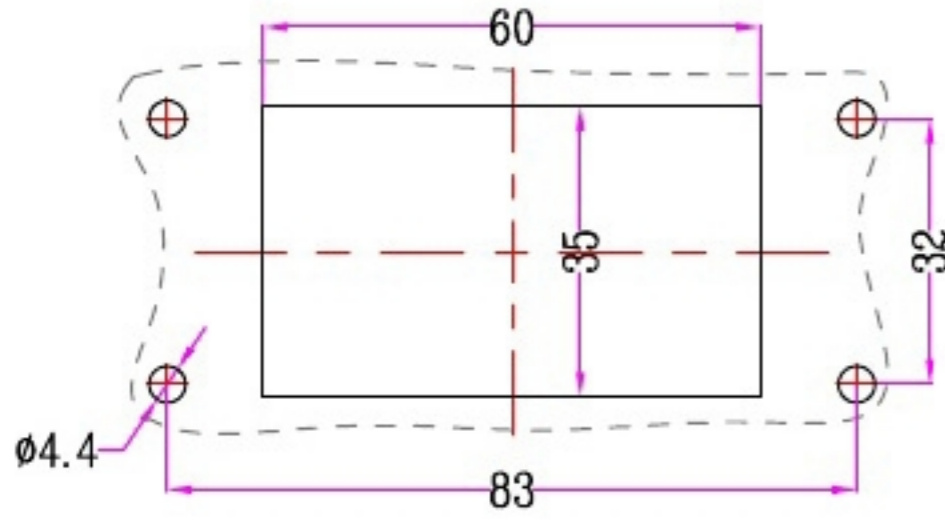



1	2	3	4	5
Identification	Type name	Part number	Thread(M/PG)	Lever type
Housings Bulkhead mounting With thermo-Plastic cover	HZW-HV10B-ST-CV-1PL	91 502 010 202		Metal
				Your Choice

REVISION DATA				
SYM	ECN	DESCRIPTION	DATE	APPROVED



Bulkhead mounting
Panel cut out



	SIGNATURE	DATE	Units	mm	 宁波欧科瑞连接器有限公司 NINGBO OKERUI CONNECTOR CO.,LTD.		
DRAW			Size	A4	TYPE NAME HZW-HV10B-ST-CV-1PL		
DESIGN			Scale		Part number	91 502 010 202	REV
CHECK			Sheet	1/1	File path	OKR.10V.H10VL	A0
APPROVE			Proj.	