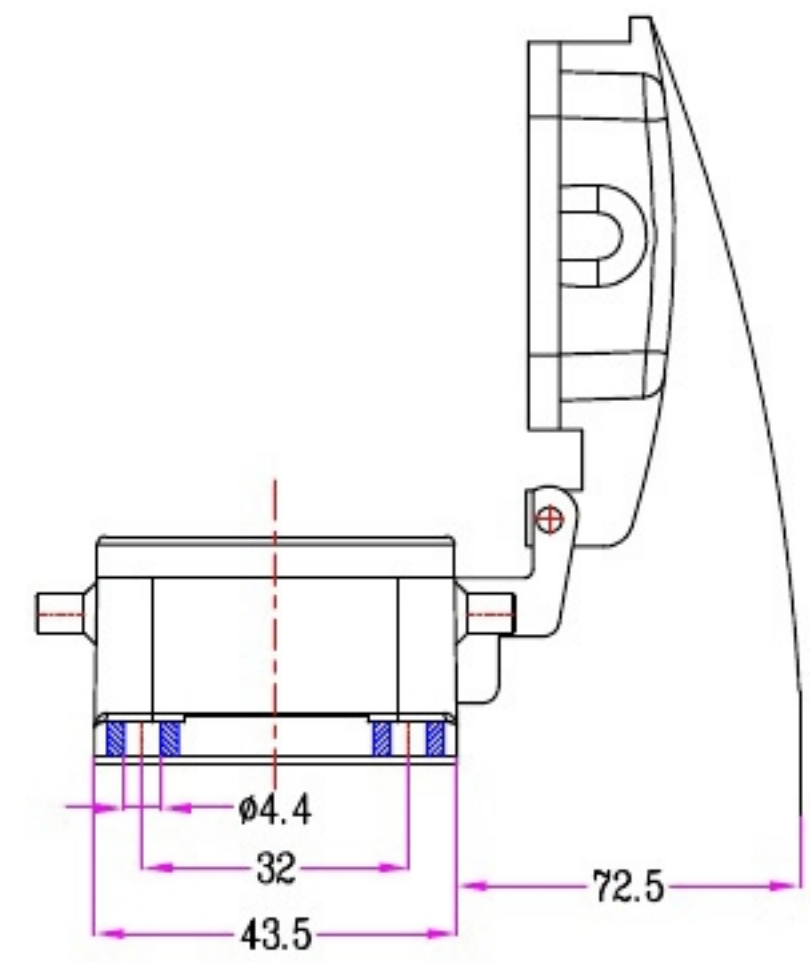
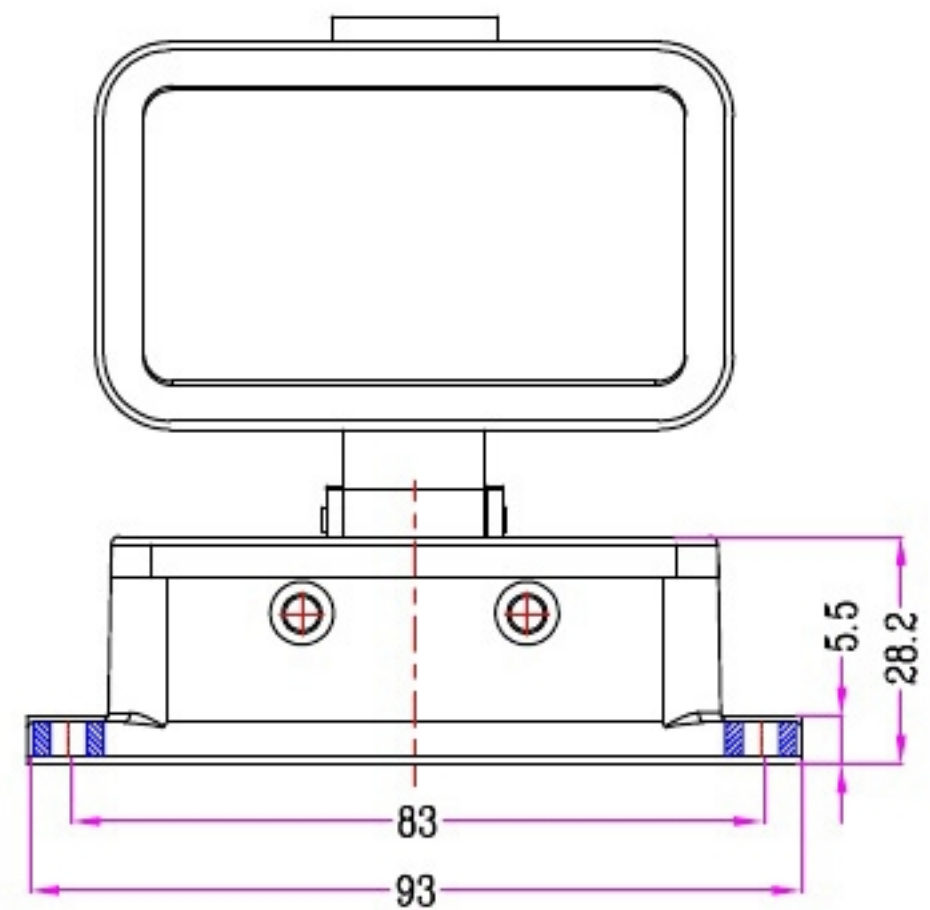
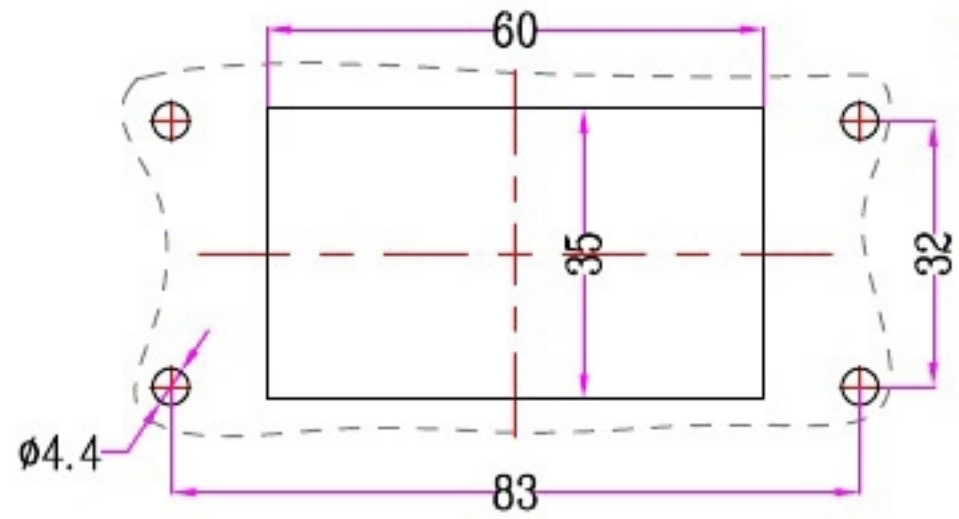


1	2	3	4	5
Identification	Type name	Part number	Thread(M/PG)	Lever type
Housings Bulkhead mounting With metal cover	HZW-HV10B-ST-4g-MCV	91 502 010 103		Your Choice

REVISION DATA				
SYM	ECN	DESCRIPTION	DATE	APPROVED



Bulkhead mounting
Panel cut out



	SIGNATURE	DATE	Units	mm
DRAW			Size	A4
DESIGN			Scale	
CHECK			Sheet	1/1
APPROVE			Proj.	

OUKERUI 宁波欧科瑞连接器有限公司
NINGBO OUKERUI CONNECTOR CO., LTD.

TYPE NAME	HZW-HV10B-ST-4g-MCV		
Part number	91 502 010 103	REV	
File path	OKR.10V.H10VL	A0	