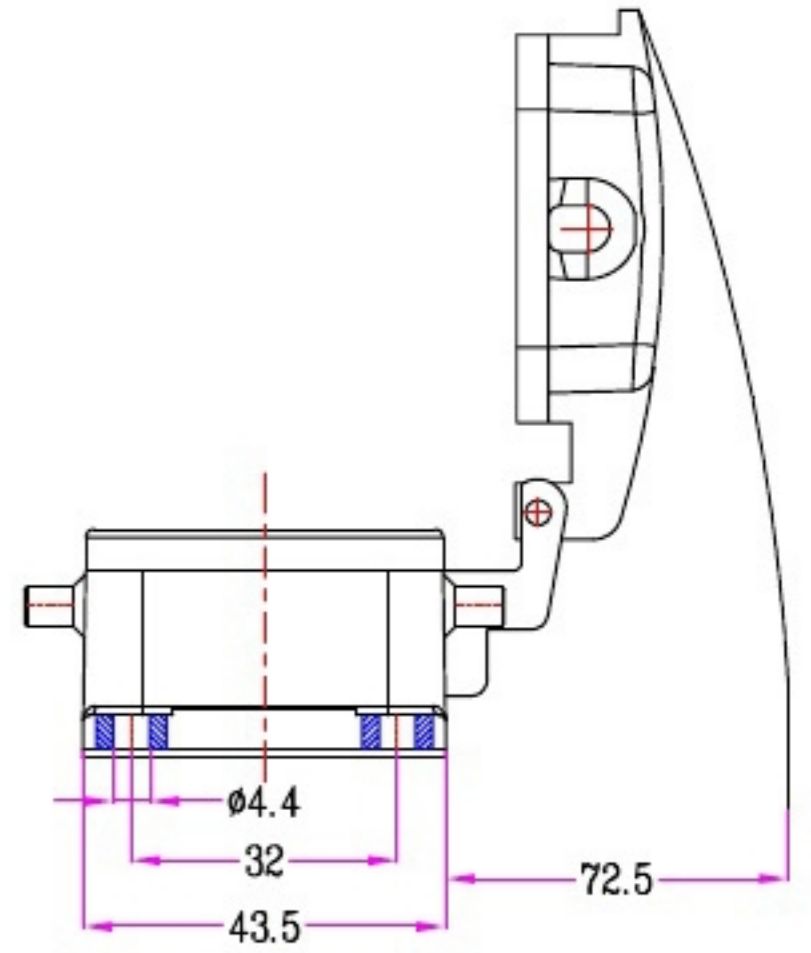
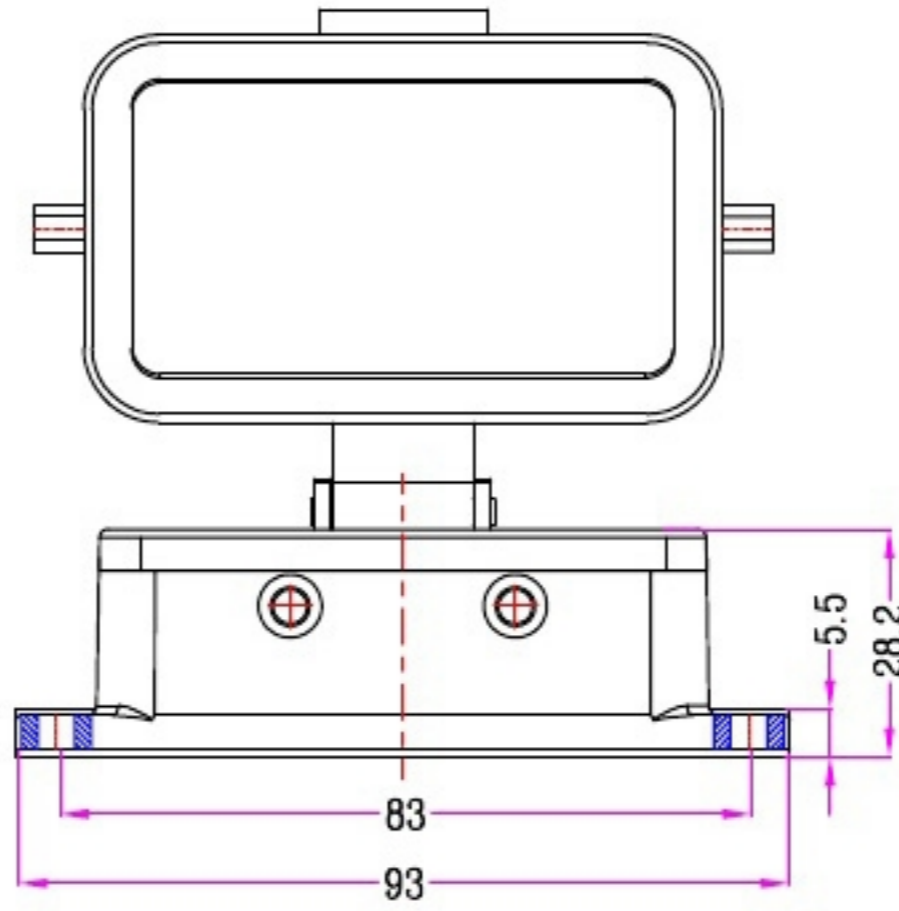
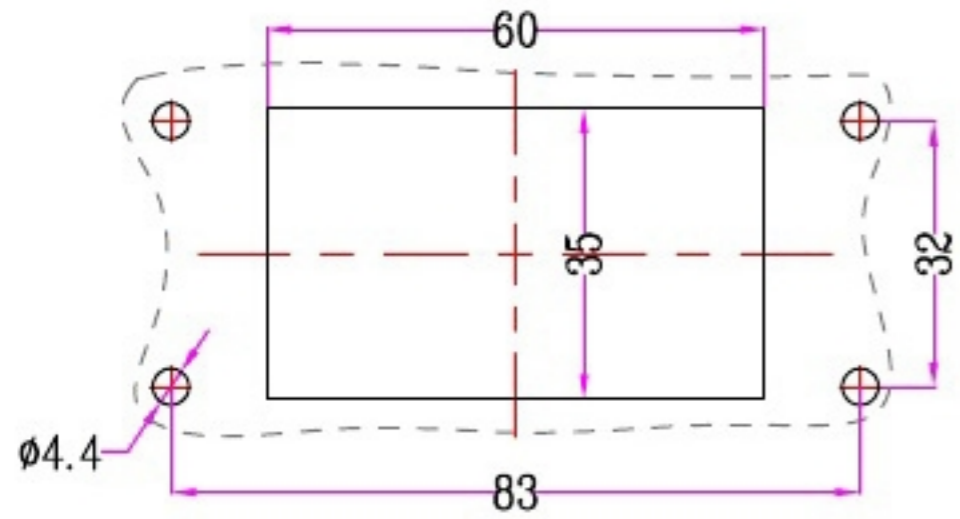



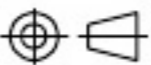
1	2	3	4	5
Identification	Type name	Part number	Thread(M/PG)	Lever type
Housings Bulkhead mounting With thermo-Plastic cover	HZW-HV10B-ST-4g-CV	91 502 010 102		
				Your Choice

REVISION DATA				
6	7	8		
SYM	ECN	DESCRIPTION	DATE	APPROVED



Bulkhead mounting
Panel cut out



	SIGNATURE	DATE	Units	mm	 宁波欧科瑞连接器有限公司 NINGBO OKERUI CONNECTOR CO.,LTD.		
DRAW			Size	A4			
DESIGN			Scale		TYPE NAME	HZW-HV10B-ST-4g-CV	
CHECK			Sheet	1/1	Part number	91 502 010 102	REV
APPROVE			Proj.		File path	OKR.10V.H10VL	A0