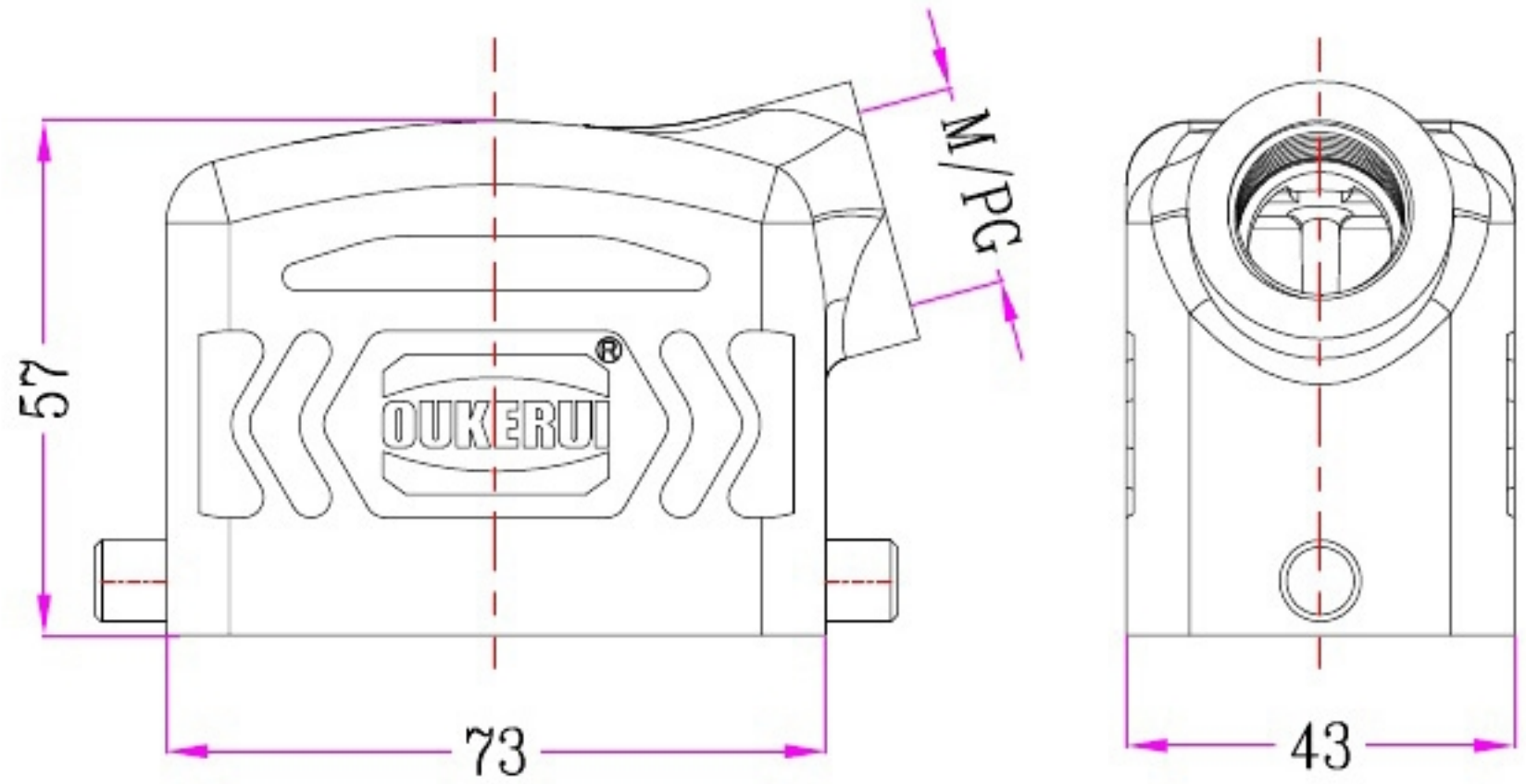

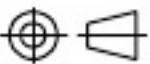


1	2	3	4	5
Identification	Type name	Part number	Thread(M/PG)	Your Choice
Hoods Side entry	HZW-HV10B-SK-2g-M20	92 512 010 020	M20	
	HZW-HV10B-SK-2g-M25	92 512 010 025	M25	
	HZW-HV10B-SK-2g-PG16	92 512 010 016	PG16	

REVISION DATA				
SYM	ECN	DESCRIPTION	DATE	APPROVED



	SIGNATURE	DATE	Units	mm	 宁波欧科瑞连接器有限公司 NINGBO OKERUI CONNECTOR CO.,LTD.		
DRAW			Size	A4			
DESIGN			Scale		TYPE NAME	HZW-HV10B-SK-2g-M/PG	
CHECK			Sheet	1/1	Part number	92 512 010 XXX	REV
APPROVE			Proj.		File path	OKR.10V.H10VM	A0