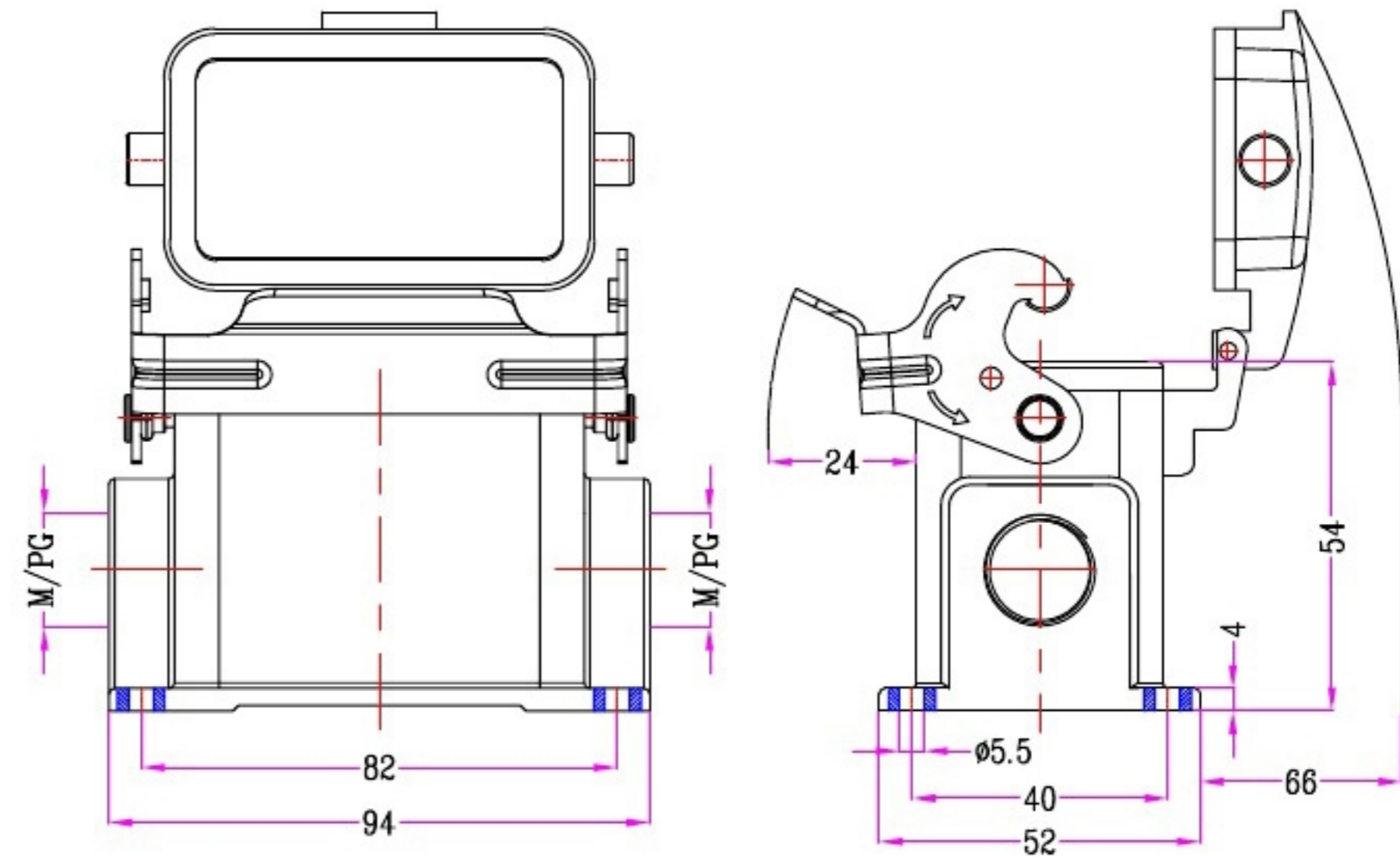



1	2	3	4	5	6	7	8
Identification	Type name	Part number	Thread(M/PG)	Lever type	Your Choice	REVISION DATA	
Housings Surface mounting With metal cover	HZW-HV10B-SG-MCV-1PL-M20	94 523 010 020	M20	Metal		SYM	ECN
	HZW-HV10B-SG-MCV-1PL-2M20	94 523 010 220	2M20	Metal		DESCRIPTION	DATE
	HZW-HV10B-SG-MCV-1PL-M25	94 523 010 025	M25	Metal		APPROVED	
	HZW-HV10B-SG-MCV-1PL-2M25	94 523 010 225	2M25	Metal			
	HZW-HV10B-SG-MCV-1PL-PG16	94 523 010 016	PG16	Metal			
	HZW-HV10B-SG-MCV-1PL-2PG16	94 523 010 216	2PG16	Metal			



	SIGNATURE	DATE	Units	mm	 宁波欧科瑞连接器有限公司 NINGBO OKERUI CONNECTOR CO.,LTD.		
DRAW			Size	A4	TYPE NAME	HZW-HV10B-SG-MCV-1PL-M/PG	
DESIGN			Scale		Part number	94 523 010 XXX	REV
CHECK			Sheet	1/1	File path	OKR.10V.H10VL	A0
APPROVE			Proj.	