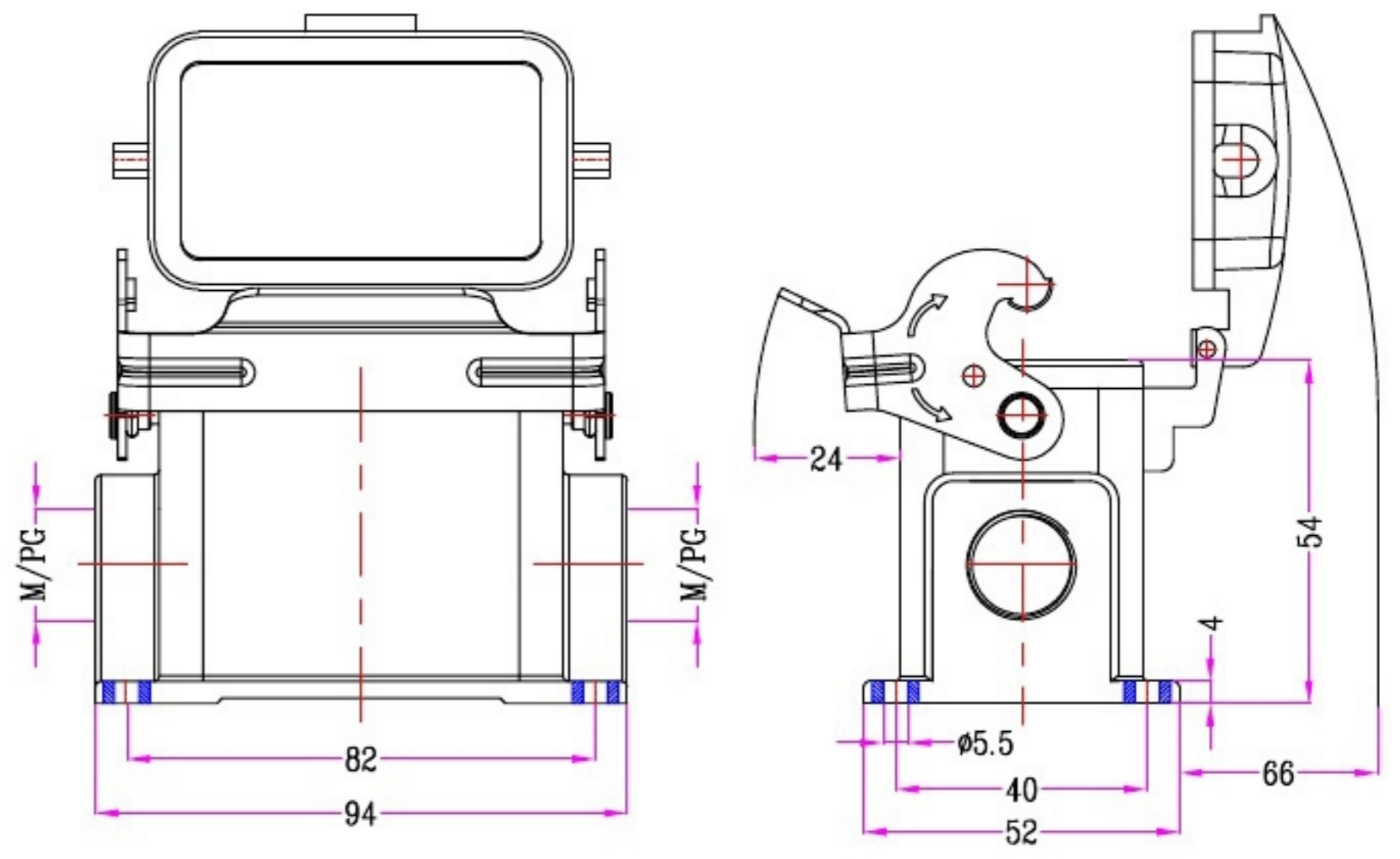

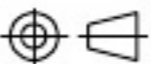


| | | | | | | | | | |
|---|---------------------------|----------------|--------------|------------|---------------|-----|-------------|-------------|----------|
| 1 | 2 | 3 | 4 | 5 | 6 | 7 | 8 | | |
| Identification | Type name | Part number | Thread(M/PG) | Lever type | REVISION DATA | | | Your Choice | |
| Housings Surface mounting With thermo-Plastic cover | HZW-HV10B-SG-CV-1PL-M20 | 94 522 010 020 | M20 | Metal | SYM | ECN | DESCRIPTION | DATE | APPROVED |
| | HZW-HV10B-SG-CV-1PL-2M20 | 94 522 010 220 | 2M20 | Metal | | | | | |
| | HZW-HV10B-SG-CV-1PL-M25 | 94 522 010 025 | M25 | Metal | | | | | |
| | HZW-HV10B-SG-CV-1PL-2M25 | 94 522 010 225 | 2M25 | Metal | | | | | |
| | HZW-HV10B-SG-CV-1PL-PG16 | 94 522 010 016 | PG16 | Metal | | | | | |
| | HZW-HV10B-SG-CV-1PL-2PG16 | 94 522 010 216 | 2PG16 | Metal | | | | | |



| | | | | | | | |
|---------|-----------|------|-------|---|--|----------------|-----|
| | SIGNATURE | DATE | Units | mm |  宁波欧科瑞连接器有限公司 NINGBO OKERUI CONNECTOR CO.,LTD. | | |
| DRAW | | | Size | A4 | TYPE NAME HZW-HV10B-SG-CV-1PL-M/PG | | |
| DESIGN | | | Scale | | Part number | 94 522 010 XXX | REV |
| CHECK | | | Sheet | 1/1 | File path | OKR.10V.H10VL | A0 |
| APPROVE | | | Proj. |  | | | |