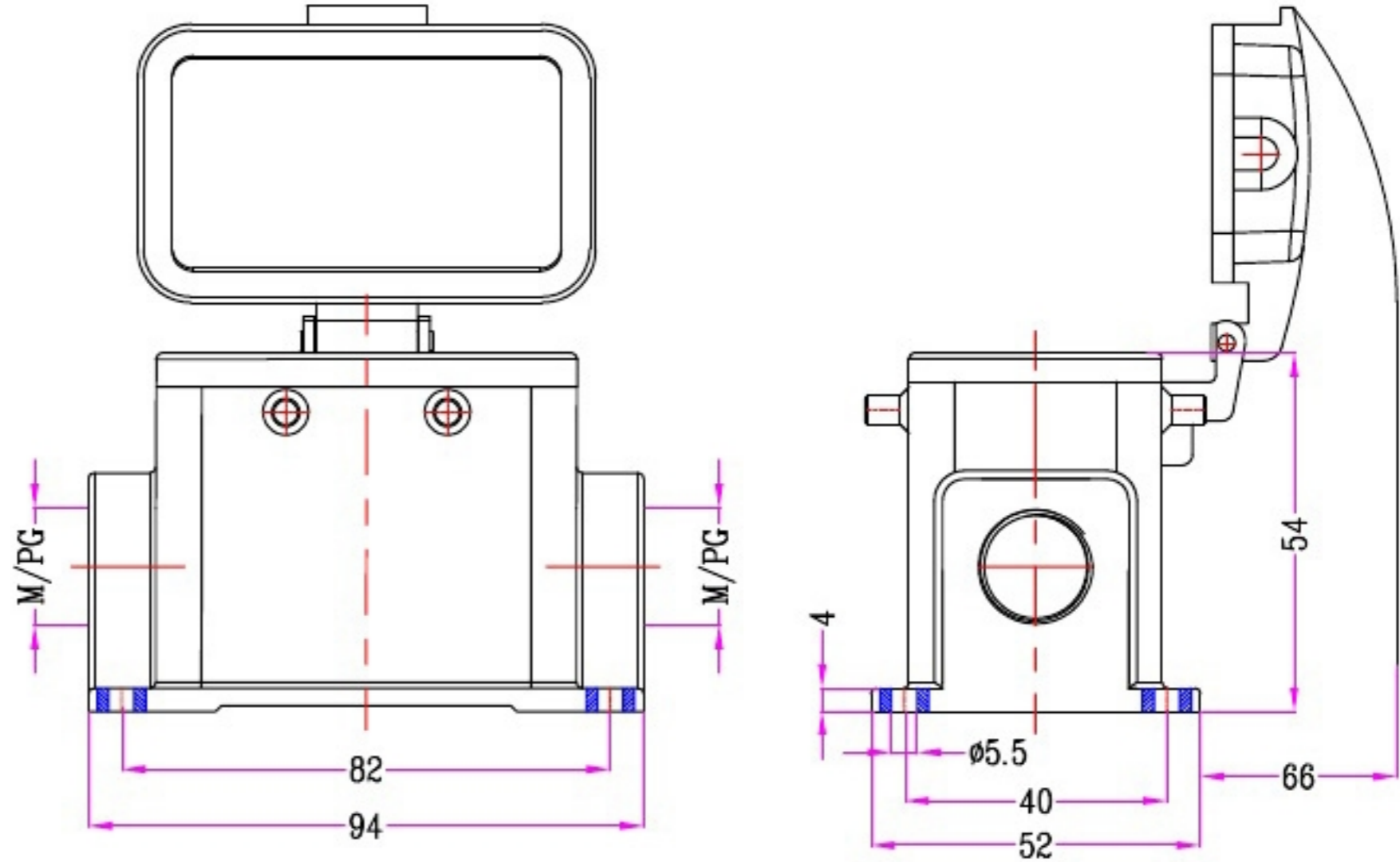

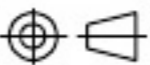


1	2	3	4	5	6	7	8
Identification	Type name	Part number	Thread(M/PG)	Lever type	Your Choice	REVISION DATA	
Housings Surface mounting With metal cover	HZW-HV10B-SG-4g-MCV-M20	92 523 010 120	M20			SYM	ECN
	HZW-HV10B-SG-4g-MCV-2M20	92 523 010 220	2M20			DESCRIPTION	DATE
	HZW-HV10B-SG-4g-MCV-M25	92 523 010 125	M25			APPROVED	
	HZW-HV10B-SG-4g-MCV-2M25	92 523 010 225	2M25				
	HZW-HV10B-SG-4g-MCV-PG16	92 523 010 116	PG16				
	HZW-HV10B-SG-4g-MCV-2PG16	92 523 010 216	2PG16				



	SIGNATURE	DATE	Units	mm	 <b>宁波欧科瑞连接器有限公司</b> NINGBO OKERUI CONNECTOR CO.,LTD.	
DRAW			Size	A4		
DESIGN			Scale		TYPE NAME	HZW-HV10B-SG-4g-MCV-M/PG
CHECK			Sheet	1/1	Part number	92 523 010 XXX
APPROVE			Proj.		File path	OKR.10V.H10VL
					REV	A0