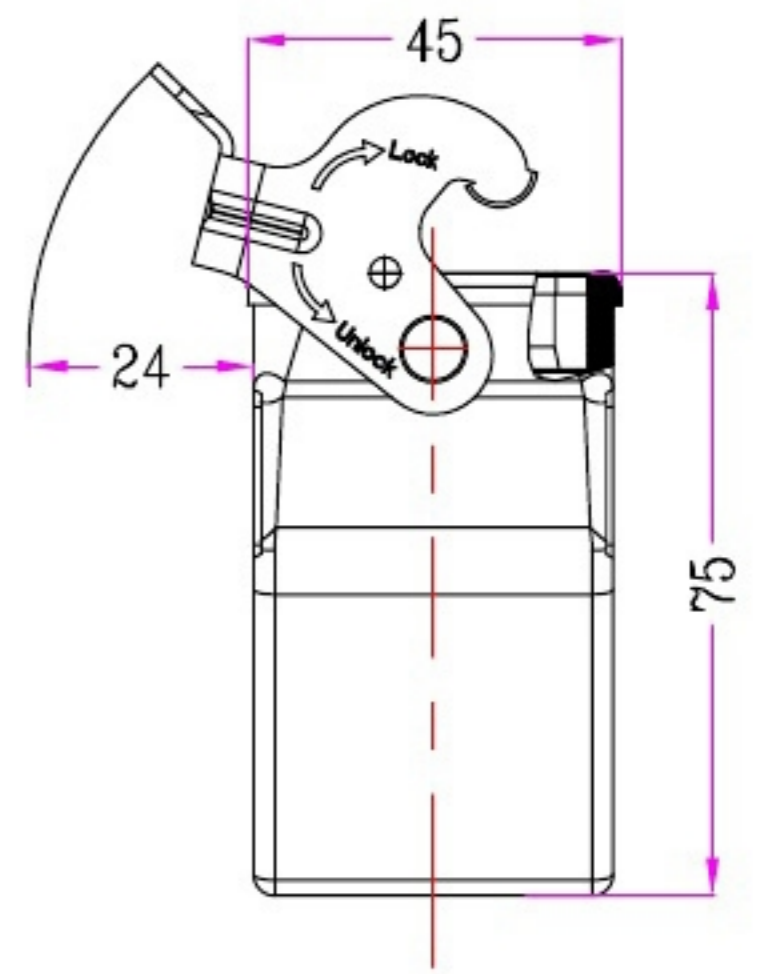
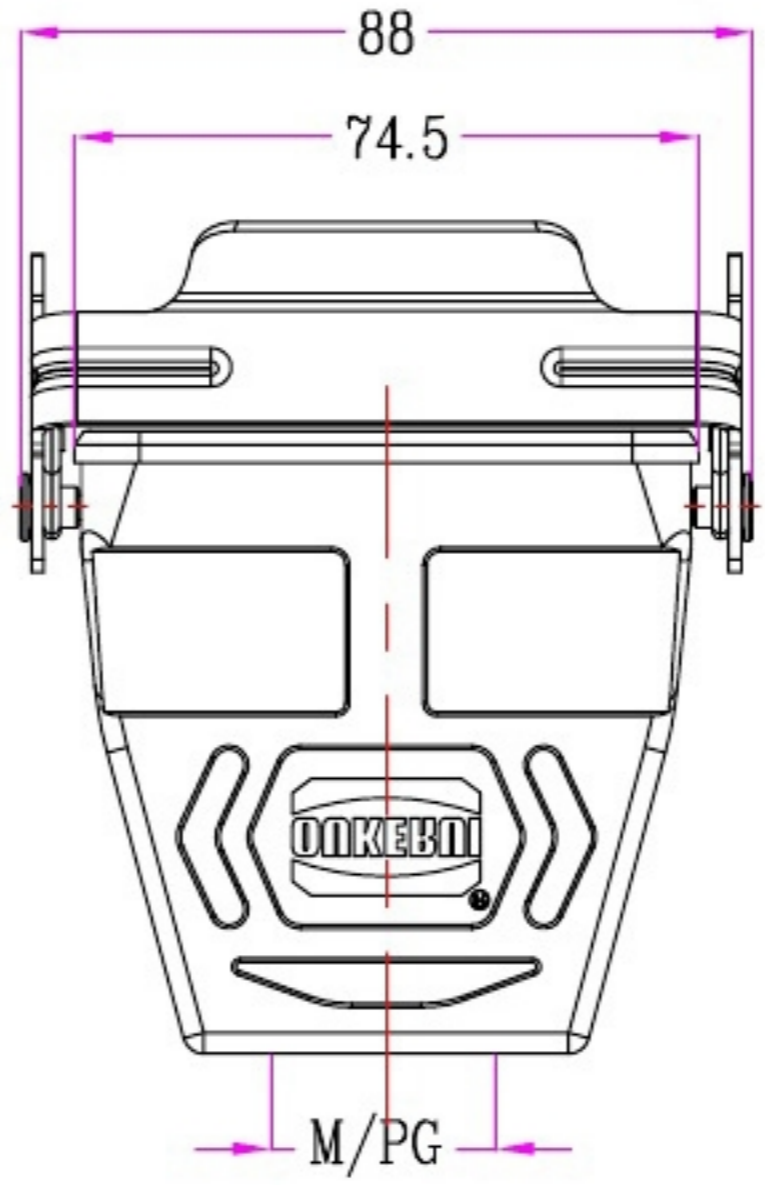



1	2		3	4	5	6		7	8	
Identification	Type name		Part number	Thread(M/PG)	Your Choice	REVISION DATA				
Housings	HZW-HV10B-DJKD-1PL-M25		95 512 010 125	M25		SYM	ECN	DESCRIPTION	DATE	APPROVED
Cable to cable	HZW-HV10B-DJKD-1PL-M32		95 512 010 132	M32						
High structure	HZW-HV10B-DJKD-1PL-PG21		95 512 010 121	PG21						
	HZW-HV10B-DJKD-1PL-PG29		95 512 010 129	PG29						



	SIGNATURE	DATE	Units	mm	 宁波欧科瑞连接器有限公司 NINGBO OKKERUI CONNECTOR CO.,LTD.	
DRAW			Size	A4	TYPE NAME	HZW-HV10B-DJKH-1PL-M/PG
DESIGN			Scale		Part number	95 512 010 XXX REV
CHECK			Sheet	1/1	File path	OKR.10V.H10VM A0
APPROVE			Proj.	