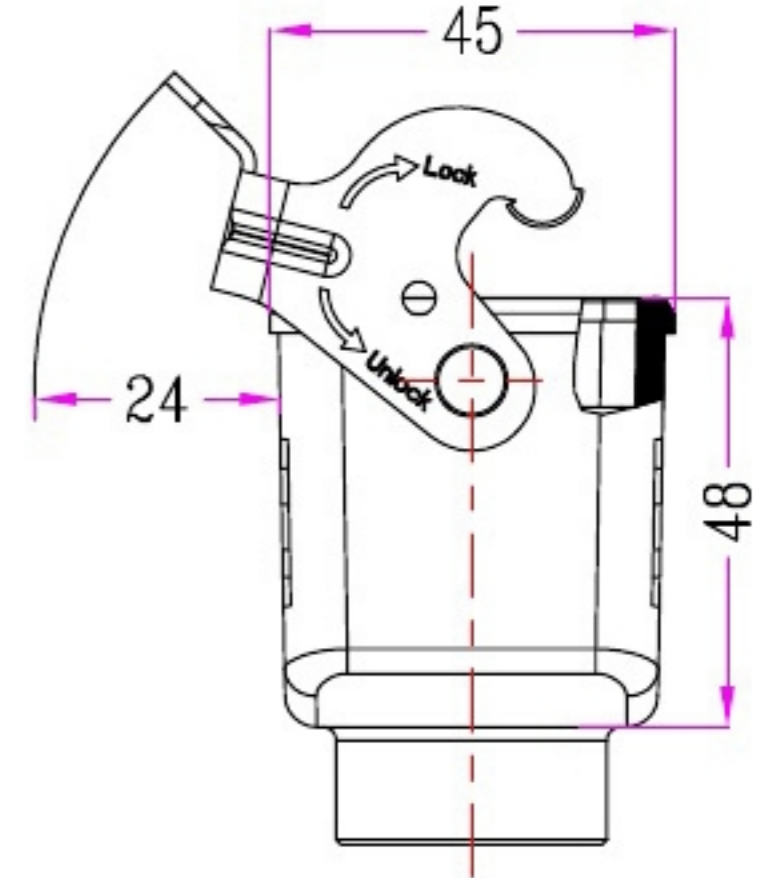
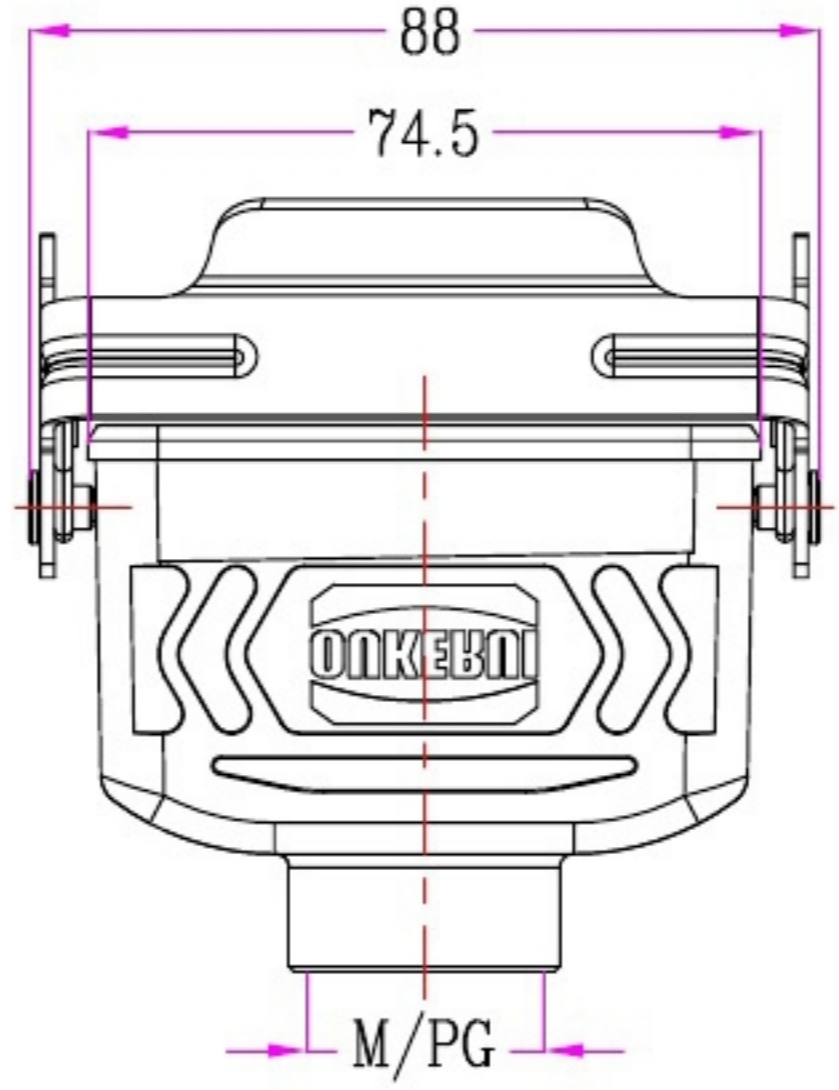



1	2	3	4	5	6	7	8		
Identification	Type name	Part number	Thread(M/PG)	Your Choice	REVISION DATA				
Housings Cable to cable	HZW-HV10B-DJK-1PL-M20	95 502 010 120	M20		SYM	ECN	DESCRIPTION	DATE	APPROVED
	HZW-HV10B-DJK-1PL-M25	95 502 010 125	M25						
	HZW-HV10B-DJK-1PL-PG16	95 502 010 116	PG16						



	SIGNATURE	DATE	Units	mm	 宁波欧科瑞连接器有限公司 NINGBO OUKERUI CONNECTOR CO.,LTD.			
DRAW			Size	A4	TYPE NAME		HZW-HV10B-DJK-1PL-M/PG	
DESIGN			Scale		Part number		95 502 010 XXX	REV
CHECK			Sheet	1/1	File path		OKR.10V.H10VM	A0
APPROVE			Proj.	