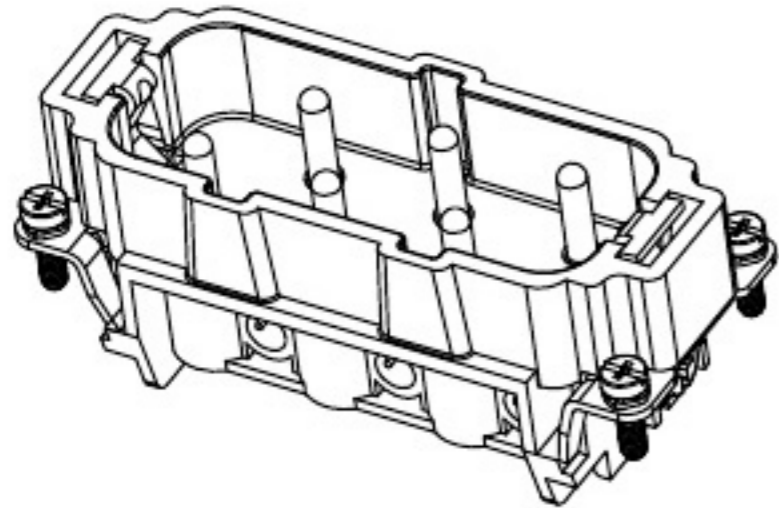
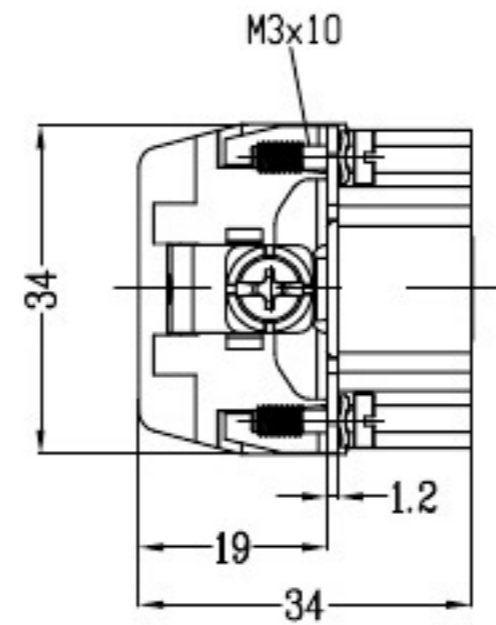
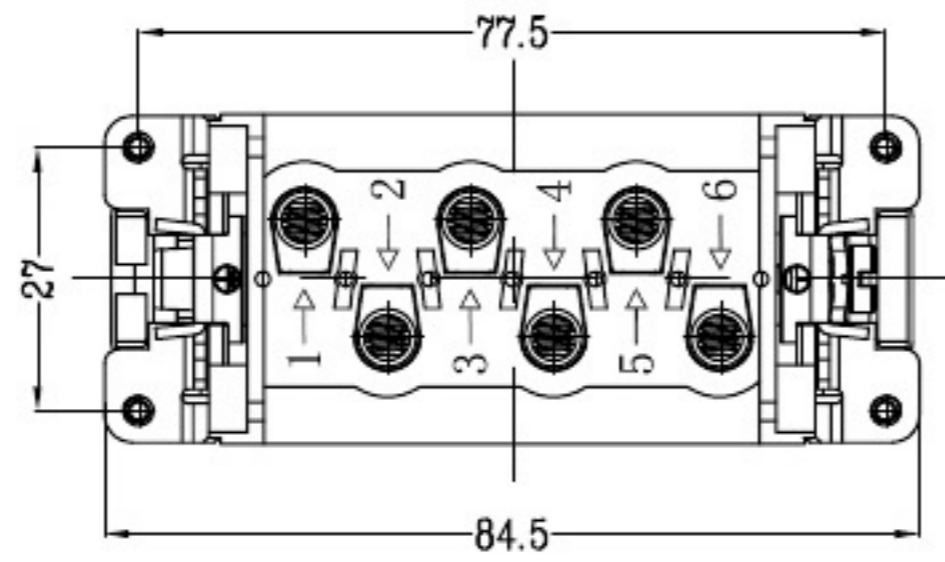



REVISION DATA				
SYM	ECN	DESCRIPTION	DATE	APPROVED



	SIGNATURE	DATE	Units	mm	 宁波欧科瑞连接器有限公司 NINGBO OKERUI CONNECTOR CO.,LTD.	
DRAW			Size	A4	PART NAME	<b>HZW-HSB-006-M</b>
DESIGN			Scale	1:1	Drawing NO.	<b>61 266 006 661</b> REV
CHECK			Sheet	1/1	File path	OKR.SBP.006M A0
APPROVE			Proj.	