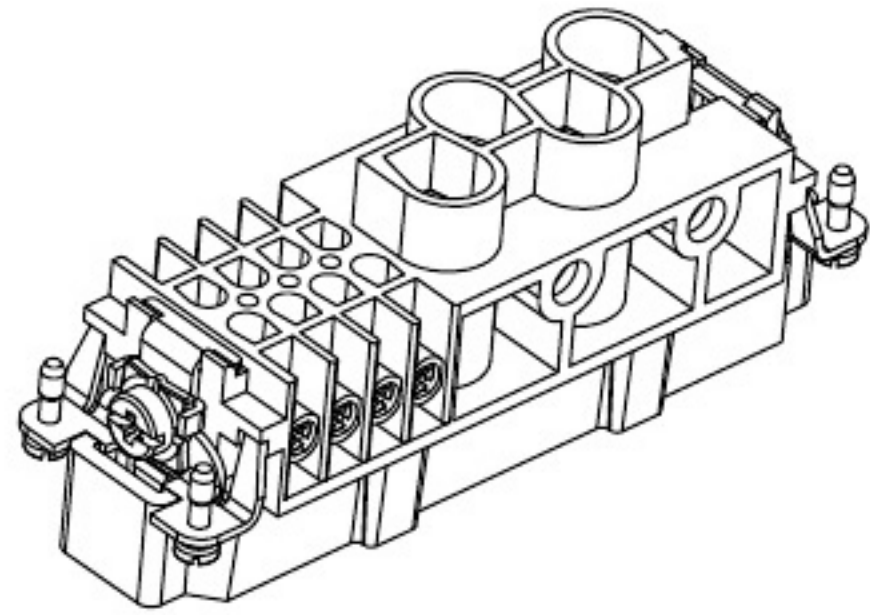
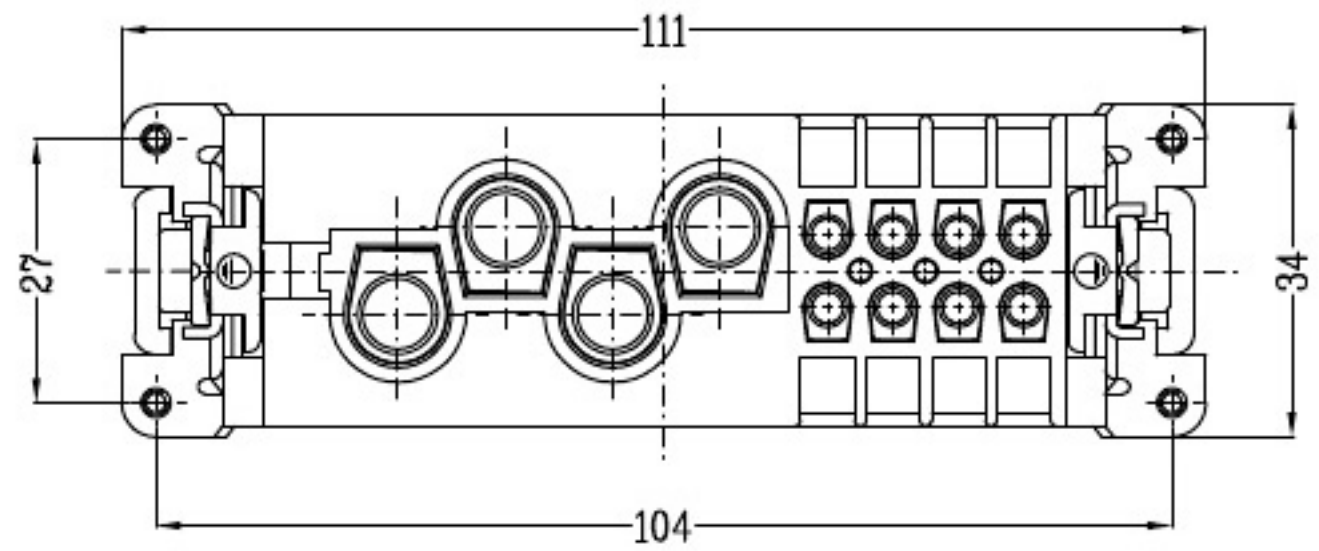
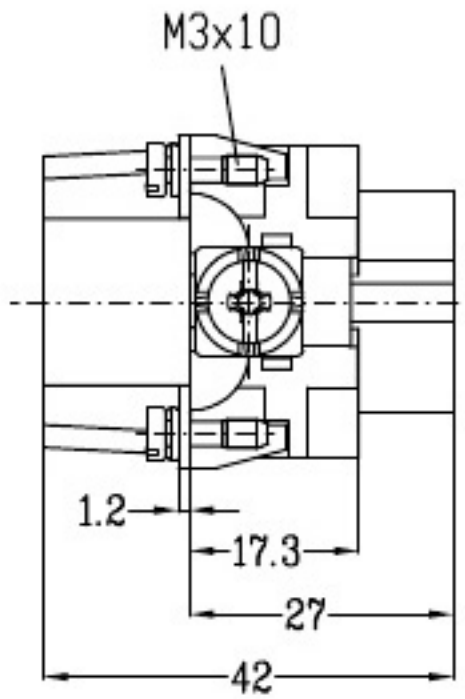

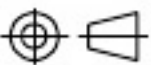


REVISION DATA				
SYM	ECN	DESCRIPTION	DATE	APPROVED



	SIGNATURE	DATE	Units	mm	 <b>宁波欧科瑞连接器有限公司</b> NINGBO OKERUI CONNECTOR CO.,LTD.	
DRAW			Size	A4		
DESIGN			Scale	1:1	PART NAME	<b>HZW-HK-4/8-M</b>
CHECK			Sheet	1/1	Drawing NO.	<b>61 209 408 801</b> REV
APPROVE			Proj.		File path	OKR.HKP.408M A0