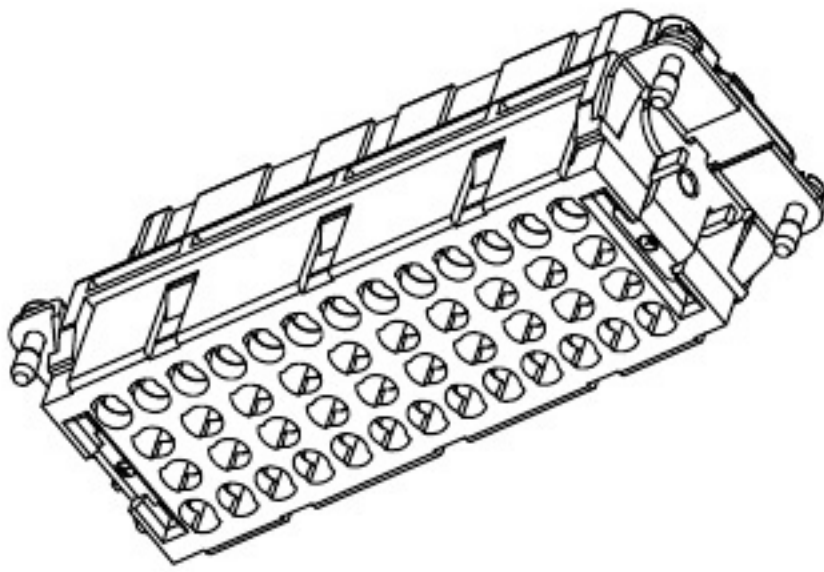
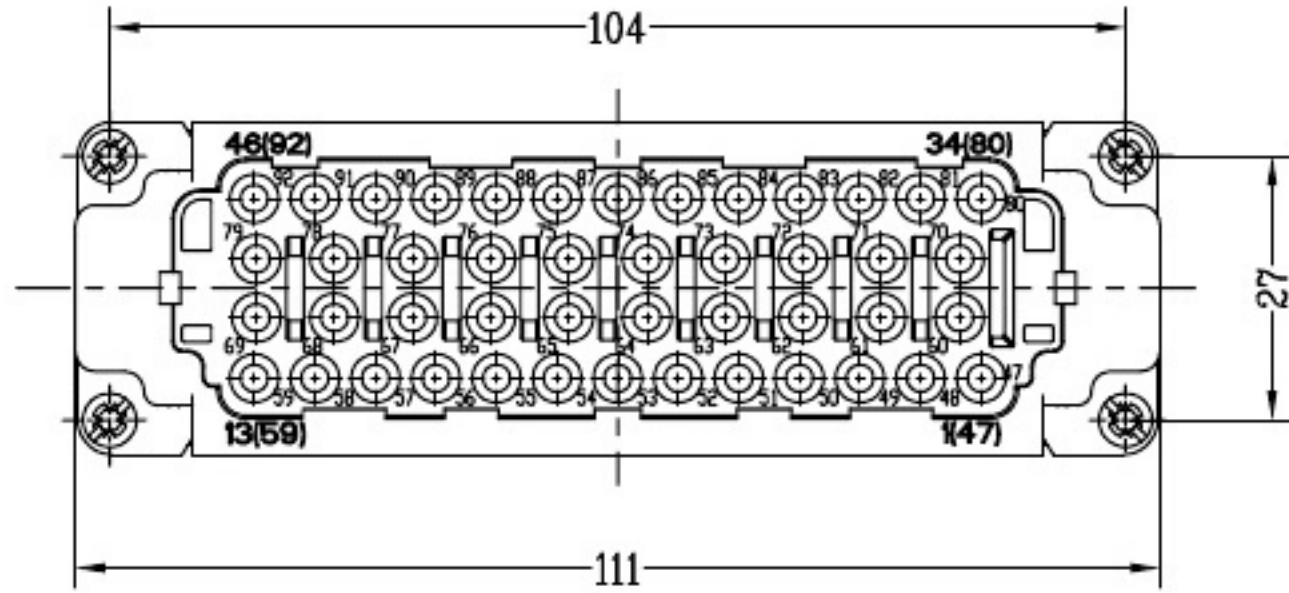
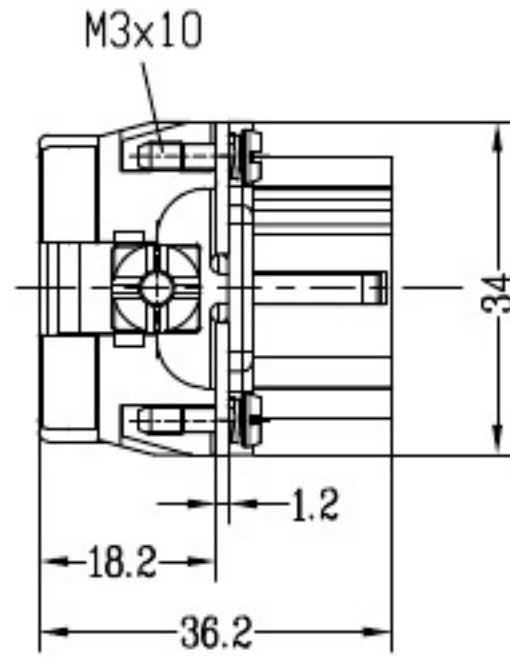

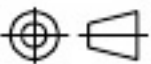


REVISION DATA				
SYM	ECN	DESCRIPTION	DATE	APPROVED



	SIGNATURE	DATE	Units	mm	 宁波欧科瑞连接器有限公司 NINGBO OUKERUI CONNECTOR CO.,LTD.		
DRAW			Size	A4			
DESIGN			Scale	1:1	PART NAME	HZW-HEE-092-FC (47-92)	
CHECK			Sheet	1/1	Drawing NO.	61 266 092 242	REV
APPROVE			Proj.		File path	OKR.EEP.092FC	A0