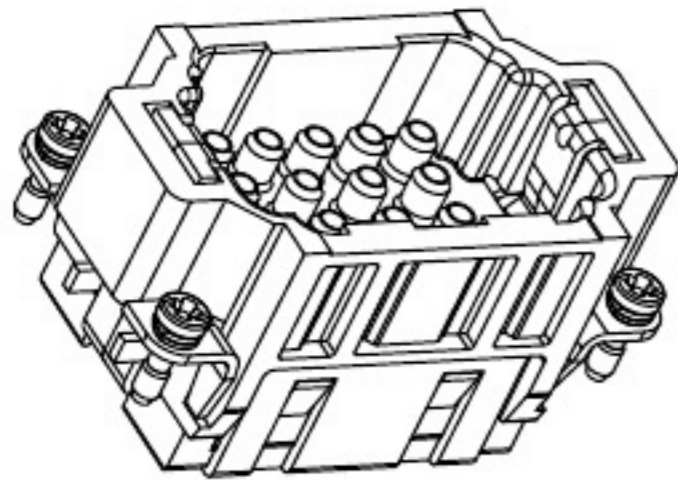
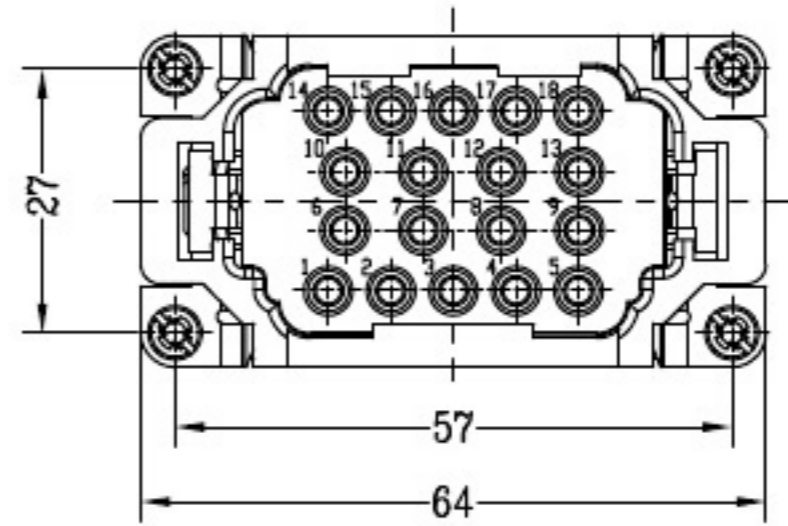
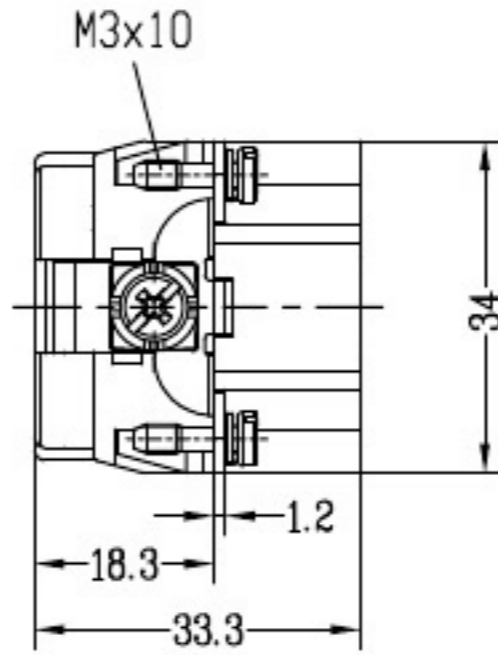



REVISION DATA				
SYM	ECN	DESCRIPTION	DATE	APPROVED



	SIGNATURE	DATE	Units	mm	 宁波欧科瑞连接器有限公司 NINGBO OKERUI CONNECTOR CO.,LTD.	
DRAW			Size	A4	PART NAME <b>HZW-HEE-018-MC</b>	
DESIGN			Scale	1:1	Drawing NO.	<b>61 266 018 111</b> REV
CHECK			Sheet	1/1	File path	OKR.EEP.018MC A0
APPROVE			Proj.	