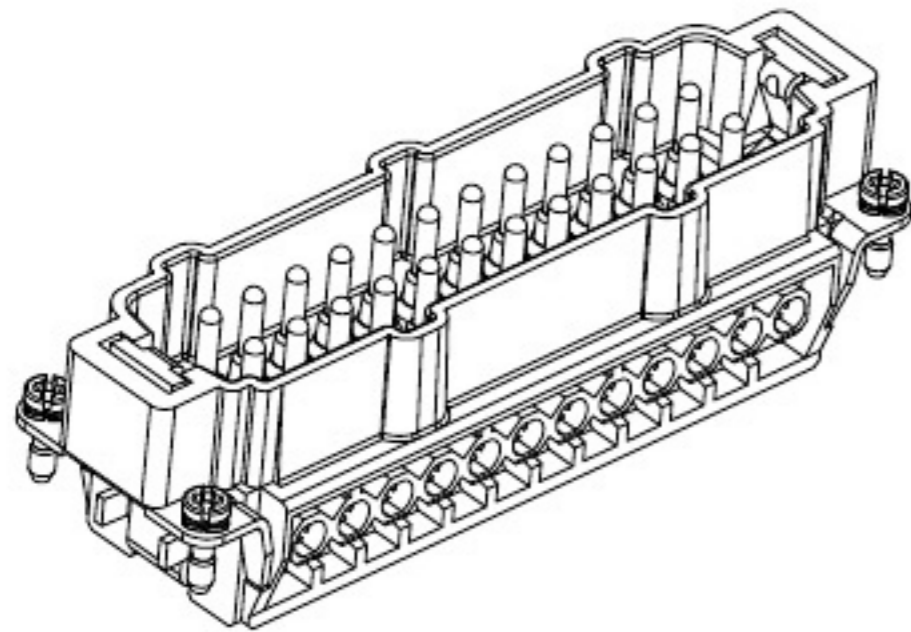
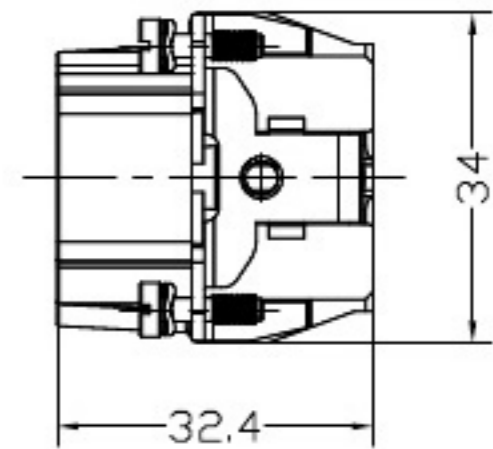
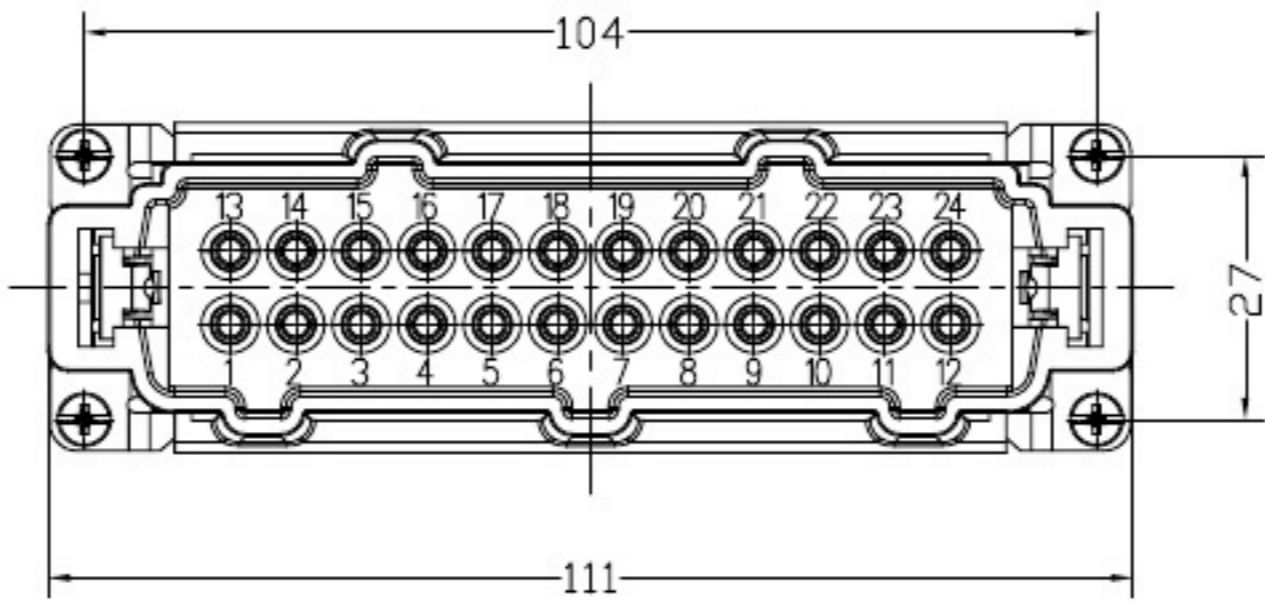
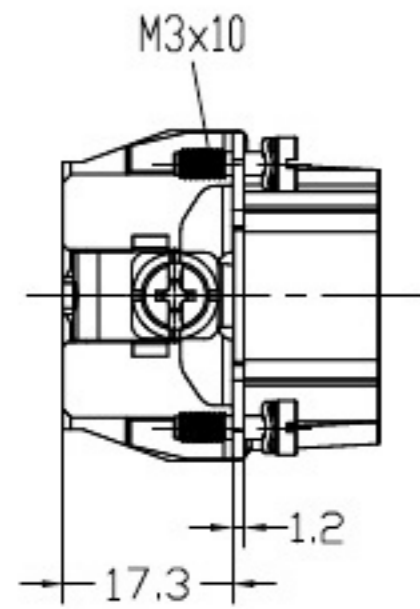

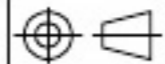


		REVISION DATA			
SYM	ECN	DESCRIPTION	DATE	APPROVED	



	SIGNATURE	DATE	Units	mm	 宁波欧科瑞连接器有限公司 NINGBO OUKERUI CONNECTOR CO.,LTD.	
DRAW			Size	A4	PART NAME	HZW-HE-024-M
DESIGN			Scale	1:1	Drawing NO.	61 206 024 291
CHECK			Sheet	1/1	File path	OKR. HEP. 024M
APPROVE			Proj.			REV A0