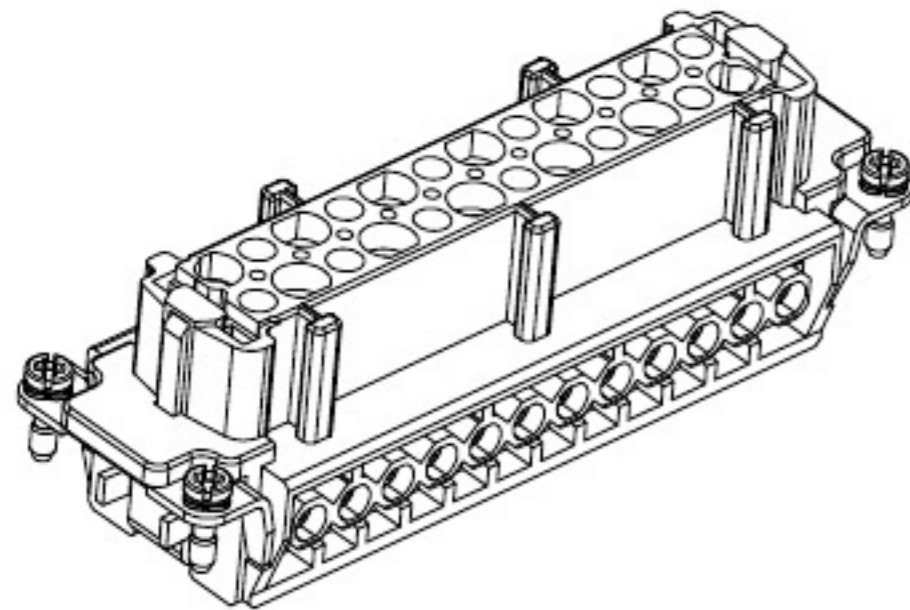
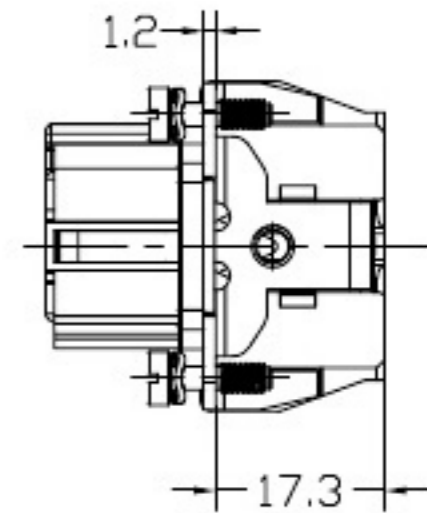
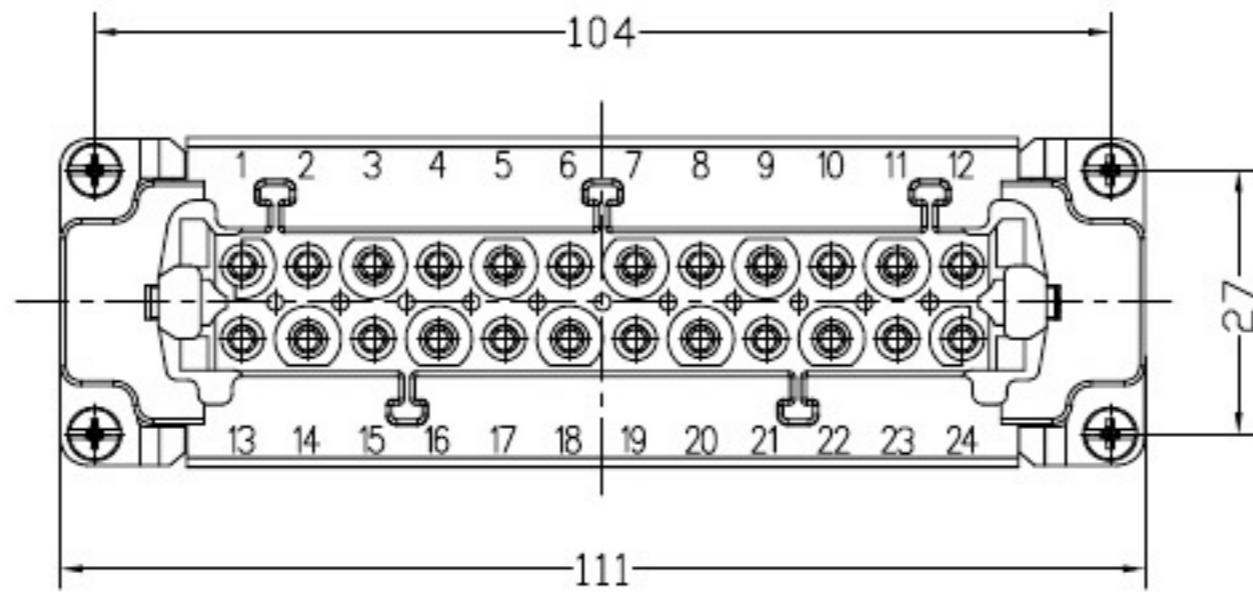
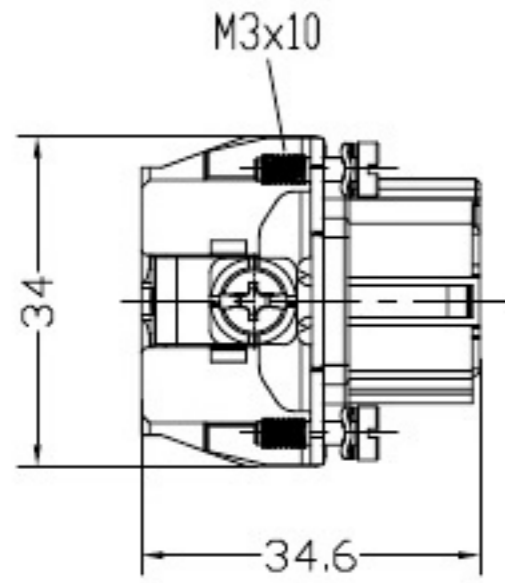

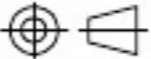


SYMBOL		REVISION DATA		
SYM	ECN	DESCRIPTION	DATE	APPROVED



	SIGNATURE	DATE	Units	mm	 宁波欧科瑞连接器有限公司 NINGBO OKERUI CONNECTOR CO., LTD.	
DRAW			Size	A4	PART NAME	HZW-HE-024-F
DESIGN			Scale	1:1	Drawing NO.	61 206 024 292
CHECK			Sheet	1/1	File path	OKR. HEP. 024F
APPROVE			Proj.			REV A0