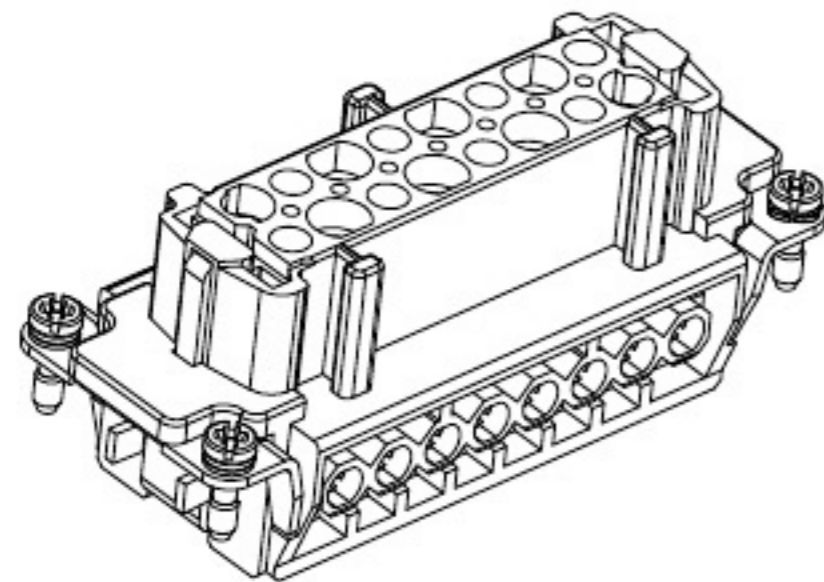
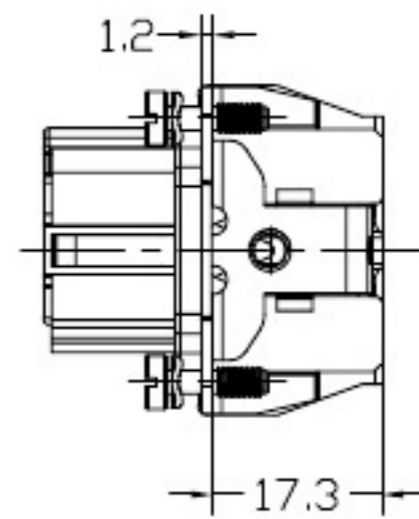
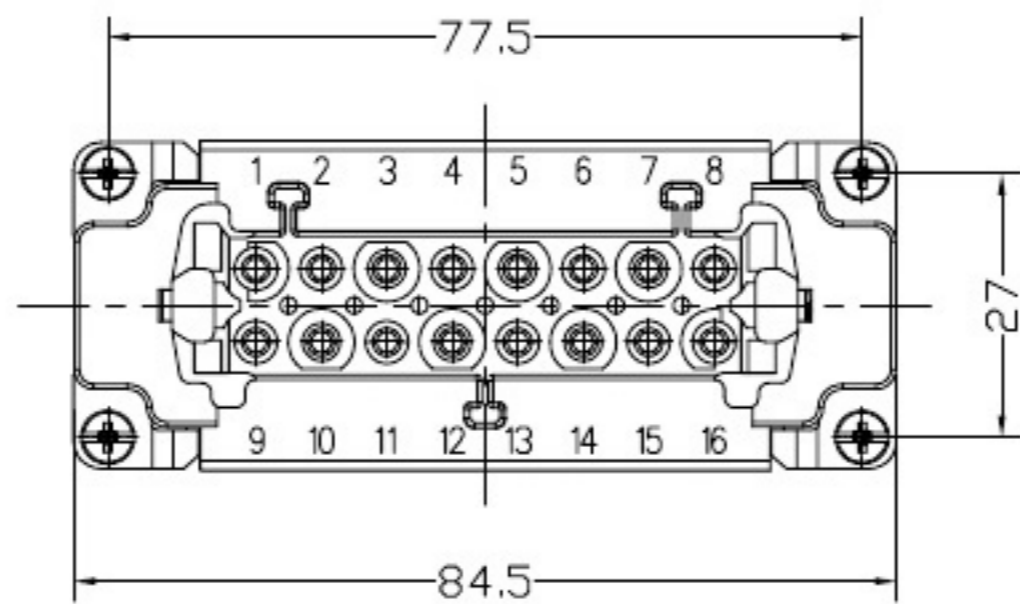
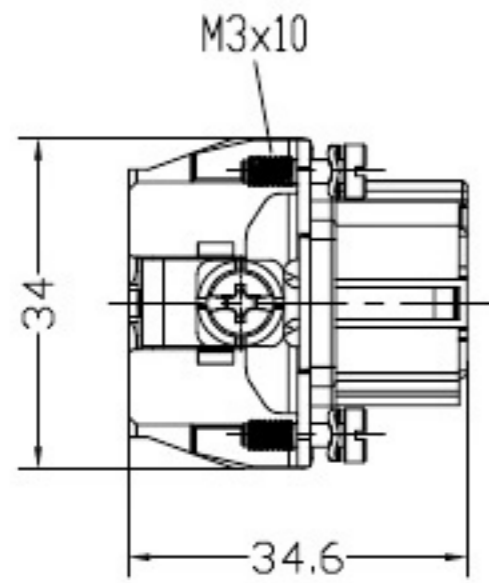

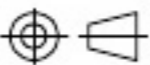


REVISION		DATA		
SYM	ECN	DESCRIPTION	DATE	APPROVED



	SIGNATURE	DATE	Units	mm	 宁波欧科瑞连接器有限公司 NINGBO OKERUI CONNECTOR CO.,LTD.		
DRAW			Size	A4			
DESIGN			Scale	1:1	PART NAME	HZW-HE-016-F	
CHECK			Sheet	1/1	Drawing NO.	61 206 016 282	REV
APPROVE			Proj.		File path	OKR.HEP.016F	A0