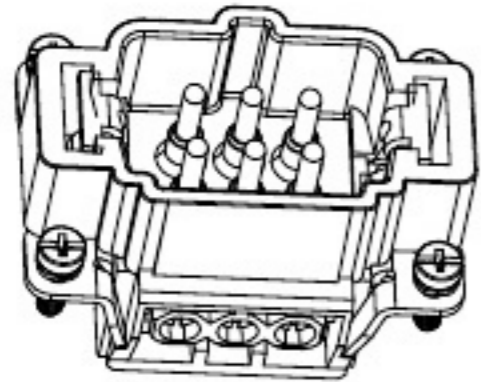
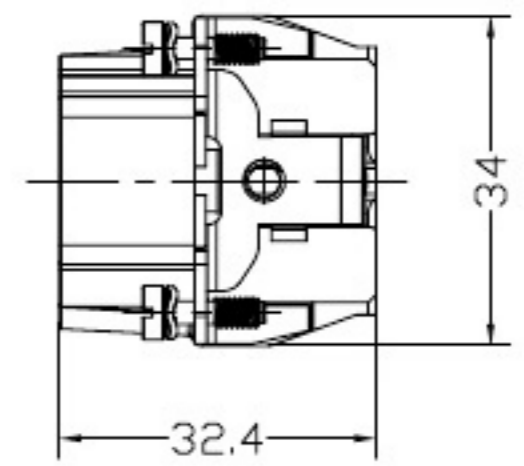
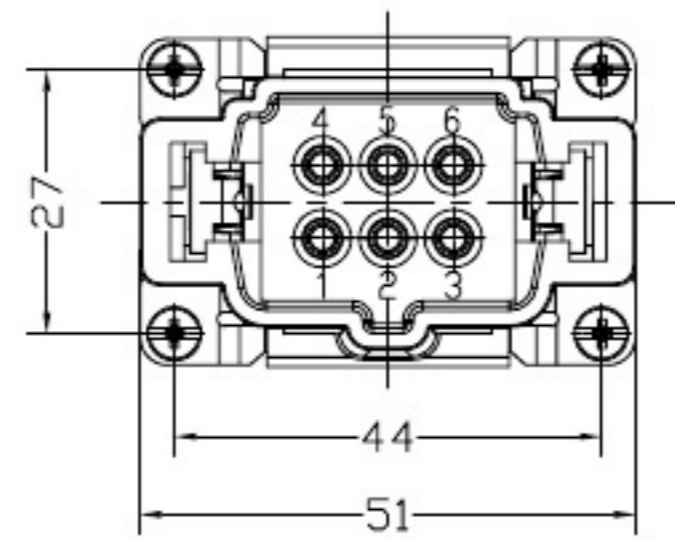
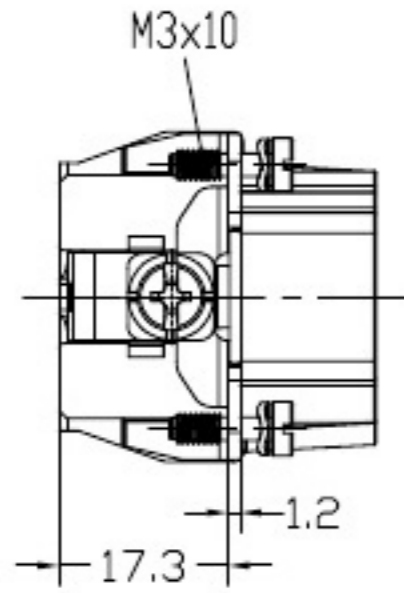

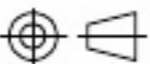


SYMBOL		REVISION DATA		
SYM	ECN	DESCRIPTION	DATE	APPROVED



	SIGNATURE	DATE	Units	mm	 宁波欧科瑞连接器有限公司 NINGBO OKERUI CONNECTOR CO.,LTD.	
DRAW			Size	A4		
DESIGN			Scale	1:1	PART NAME	HZW-HE-006-M
CHECK			Sheet	1/1	Drawing NO.	61 206 006 261 REV
APPROVE			Proj.		File path	OKR. HEP. 006M A0