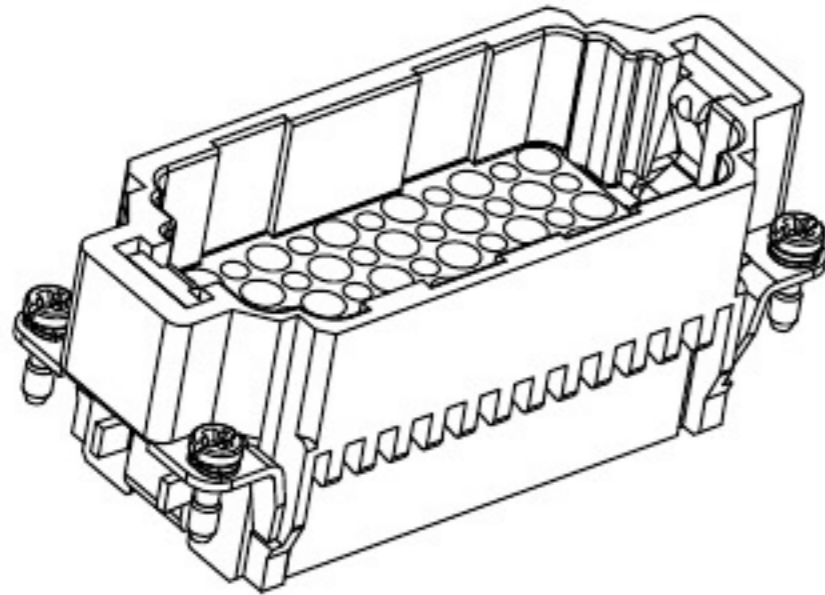
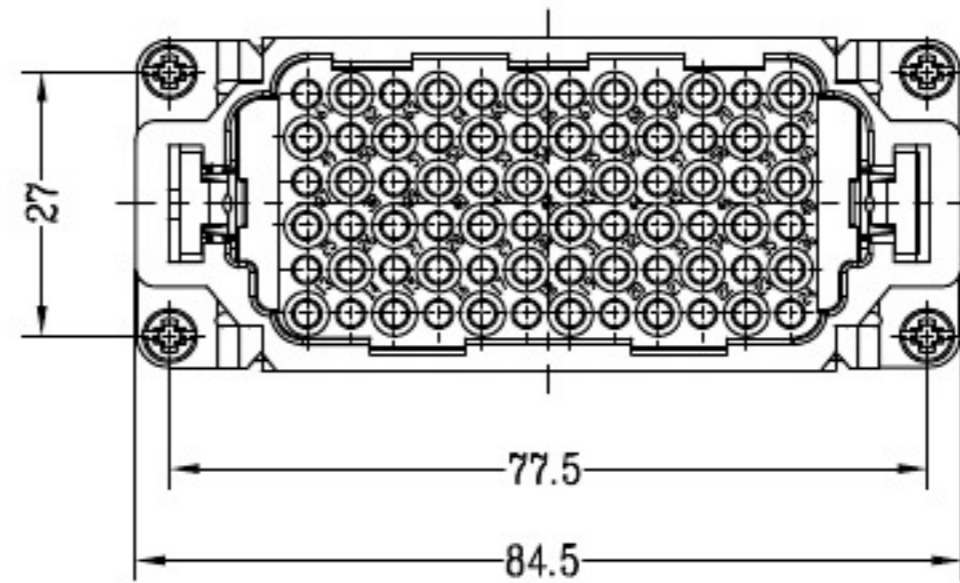
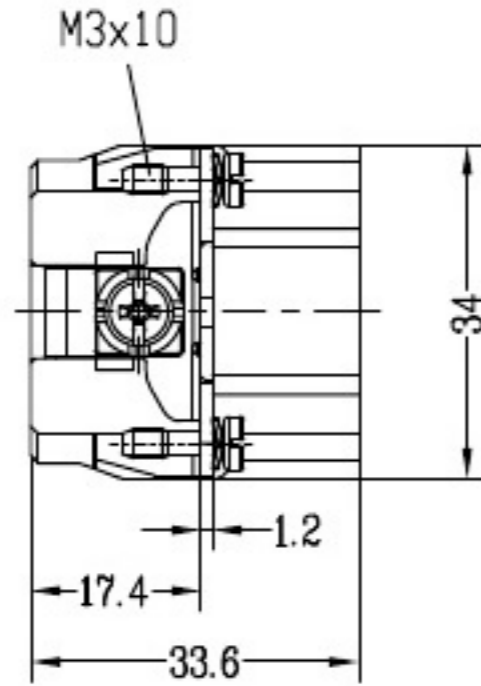



REVISION DATA				
SYM	ECN	DESCRIPTION	DATE	APPROVED



	SIGNATURE	DATE	Units	mm	 <b>宁波欧科瑞连接器有限公司</b> NINGBO OKERUI CONNECTOR CO.,LTD.	
DRAW			Size	A4	PART NAME	<b>HZW-HDD-072-MC</b>
DESIGN			Scale	1:1	Drawing NO.	<b>61 244 072 421</b> REV
CHECK			Sheet	1/1	File path	OKR.DDP.072MC A0
APPROVE			Proj.	