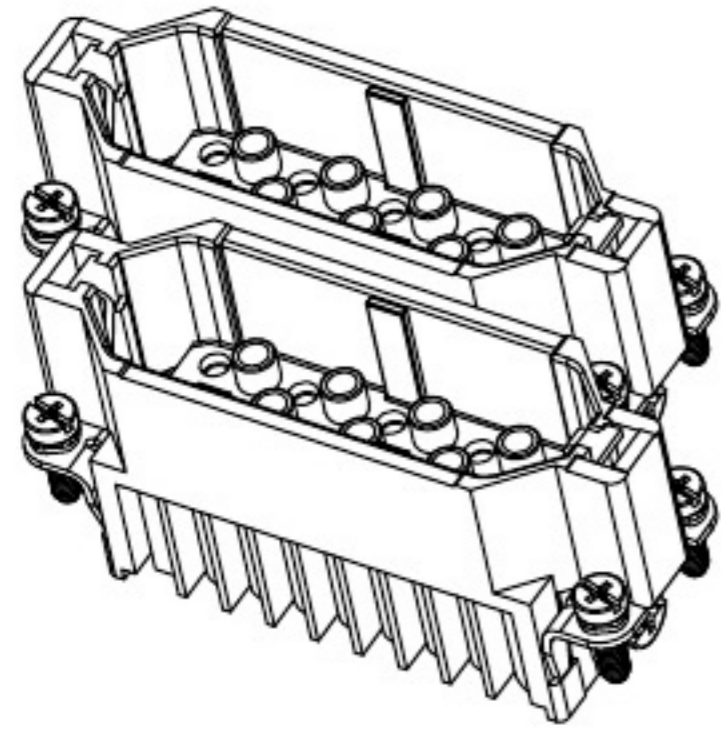
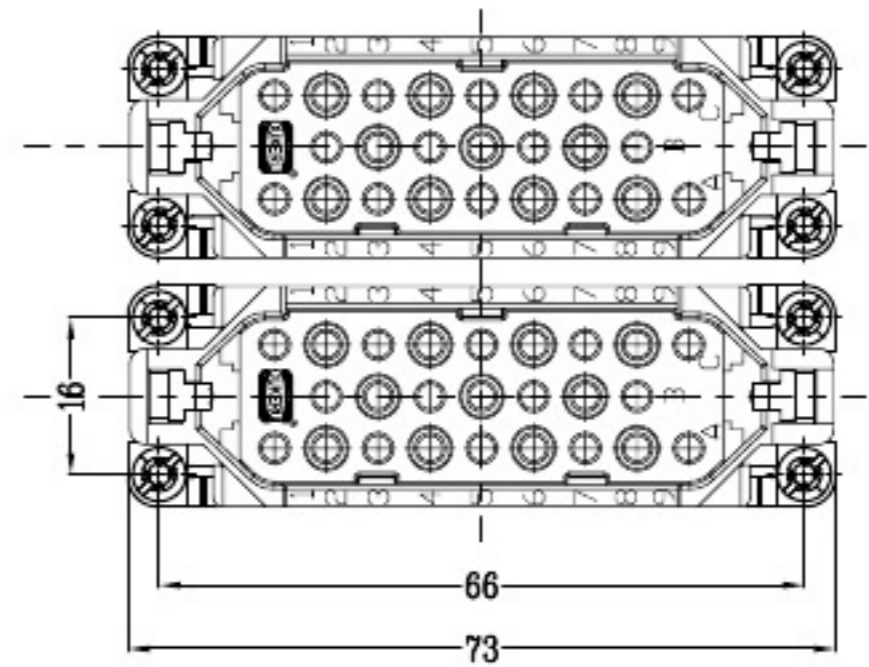
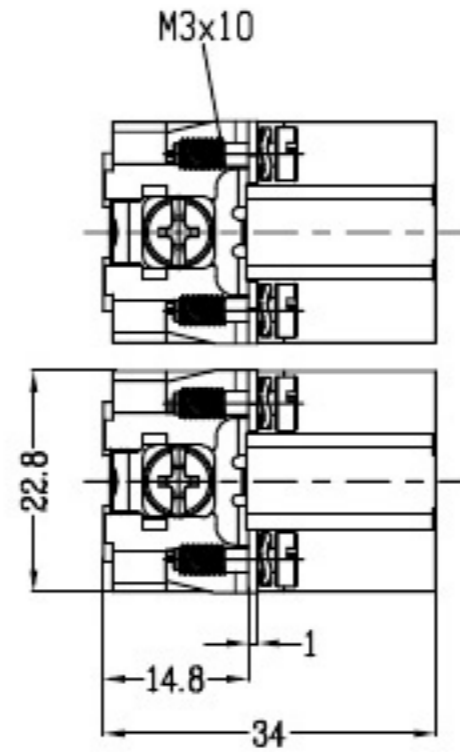

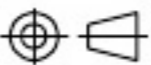


REVISION DATA				
SYM	ECN	DESCRIPTION	DATE	APPROVED



	SIGNATURE	DATE	Units	mm	 宁波欧科瑞连接器有限公司 NINGBO OKERUI CONNECTOR CO.,LTD.	
DRAW			Size	A4	PART NAME	HZW-HD-050-MC (2X25)
DESIGN			Scale	1:1	Drawing NO.	61 204 050 461
CHECK			Sheet	1/1	File path	OKR.HDP.050MC
APPROVE			Proj.			REV A0