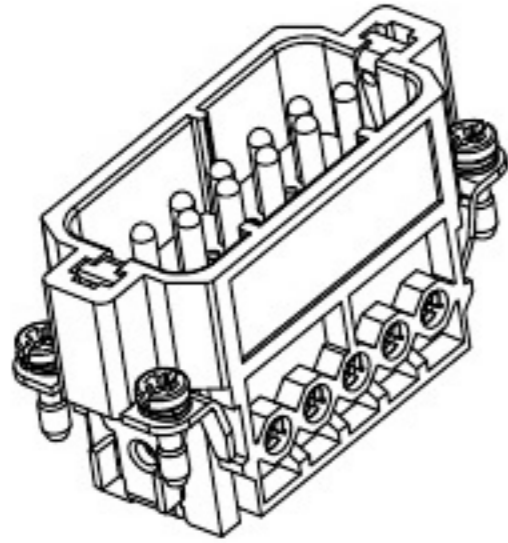
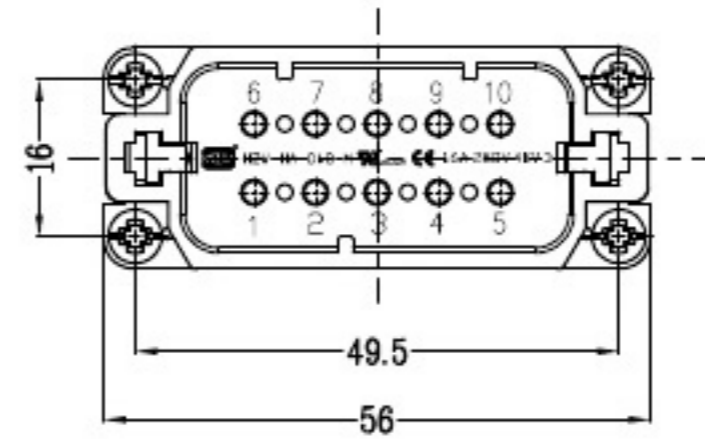
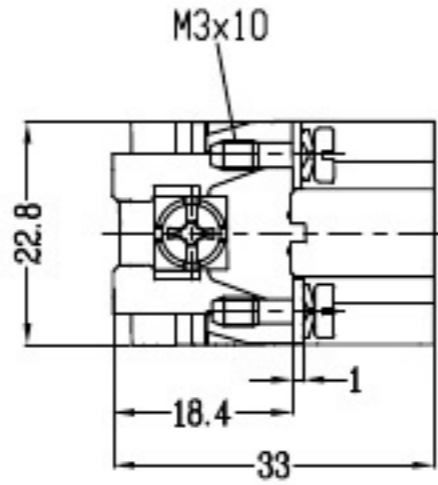

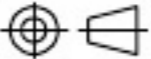


| REVISION DATA | | | | |
|---------------|-----|-------------|------|----------|
| SYM | ECN | DESCRIPTION | DATE | APPROVED |
| | | | | |
| | | | | |



| | | | | | | |
|---------|-----------|------|-------|---|--|---------------------------|
| | SIGNATURE | DATE | Units | mm |  宁波欧科瑞连接器有限公司 NINGBO OKERUI CONNECTOR CO.,LTD. | |
| DRAW | | | Size | A4 | PART NAME | HZW-HA-010-M |
| DESIGN | | | Scale | 1:1 | Drawing NO. | 61 201 010 121 REV |
| CHECK | | | Sheet | 1/1 | File path | OKR.HAP.010M A0 |
| APPROVE | | | Proj. |  | | |