

1	2	3	4	5	6	7	8		
Identification	Type name	Part number	Thread(M/PG)	Your Choice	REVISION DATA				
Hoods	HZW-H6B-TKH-2g-M25	82 301 006 125	M25		SYM	ECN	DESCRIPTION	DATE	APPROVED
Top entry	HZW-H6B-TKH-2g-M32	82 301 006 132	M32						
High structure	HZW-H6B-TKH-2g-PG21	82 301 006 121	PG21						

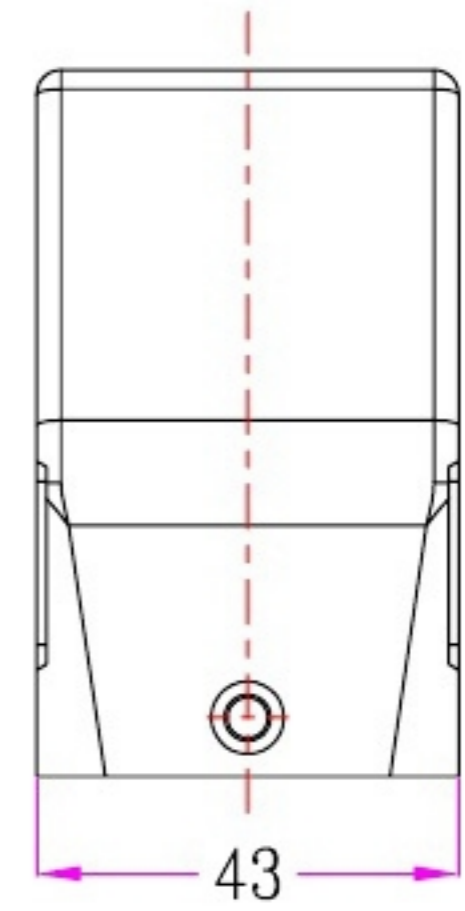
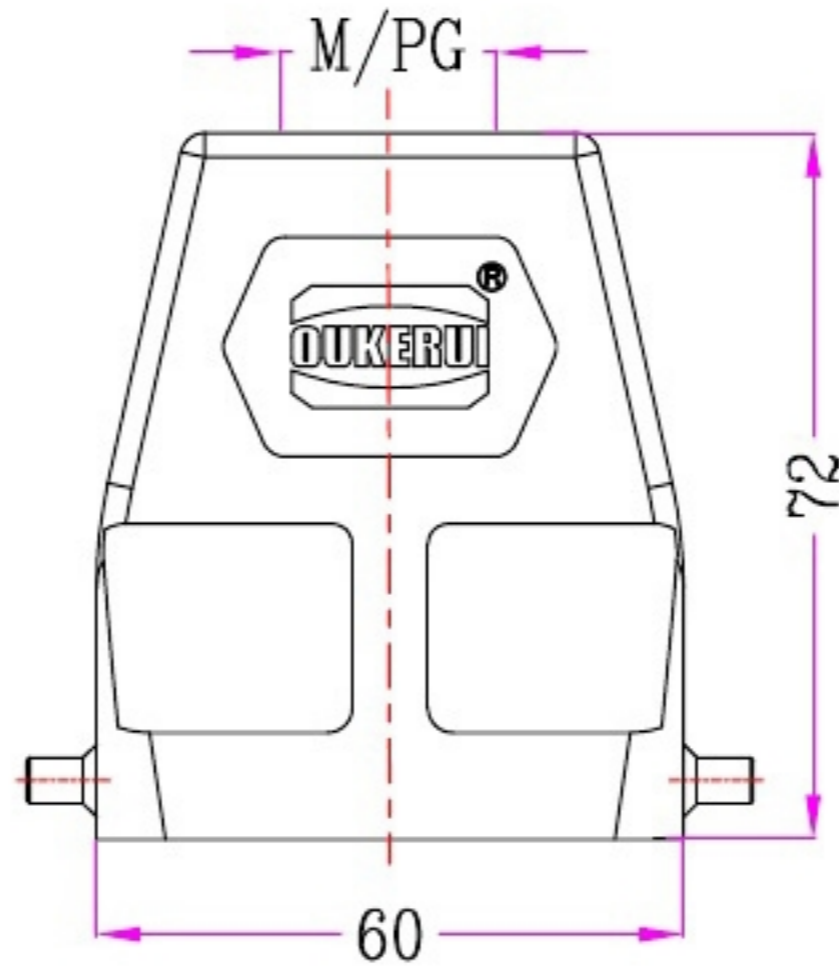
B

C

D

E

F




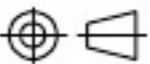
B

C

D

E

F

	SIGNATURE	DATE	Units	mm	 宁波欧科瑞连接器有限公司 NINGBO OKERUI CONNECTOR CO.,LTD.		
DRAW			Size	A4	TYPE NAME	HZW-H6B-TKH-2g-M/PG	
DESIGN			Scale		Part number	82 301 006 XXX	REV
CHECK			Sheet	1/1	File path	OKR.06B.H06BM	A0
APPROVE			Proj.				

1

2

3

4

4

5

6

7

8