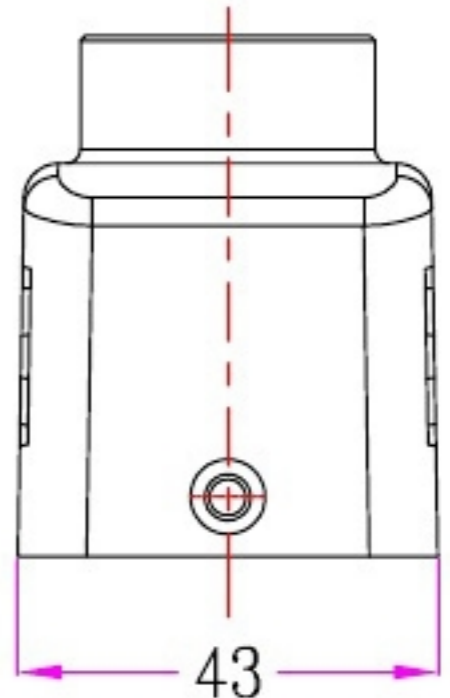
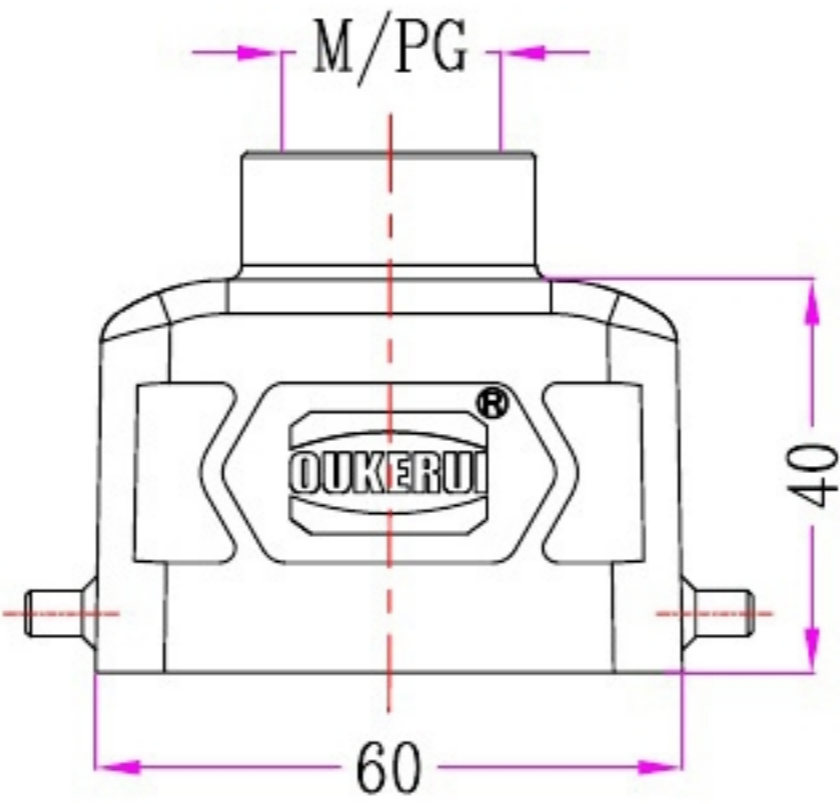



1	2	3	4	5	6	7	8		
Identification	Type name	Part number	Thread(M/PG)	Your Choice	REVISION DATA				
Hoods Top entry	HZW-H6B-TK-2g-M20	82 301 006 020	M20		SYM	ECN	DESCRIPTION	DATE	APPROVED
	HZW-H6B-TK-2g-PG13.5	82 301 006 013	PG13.5						
	HZW-H6B-TK-2g-PG16	82 301 006 016	PG16						



	SIGNATURE	DATE	Units	mm	 宁波欧科瑞连接器有限公司 NINGBO OKERUI CONNECTOR CO.,LTD.			
DRAW			Size	A4	TYPE NAME		HZW-H6B-TK-2g-M/PG	
DESIGN			Scale		Part number		82 301 006 XXX	REV
CHECK			Sheet	1/1	File path		OKR.06B.H06BM	A0
APPROVE			Proj.	