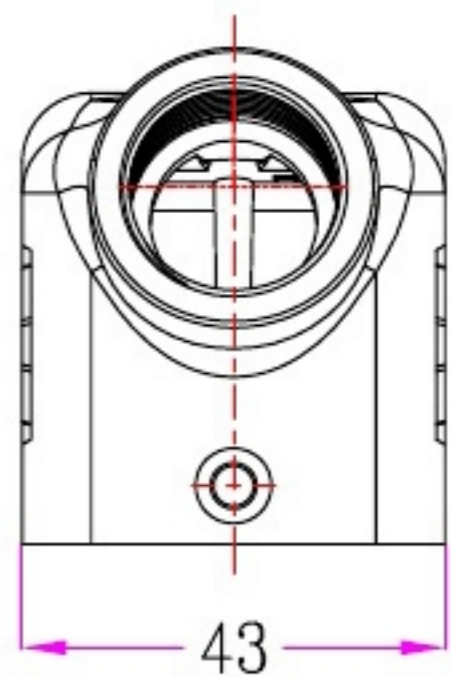
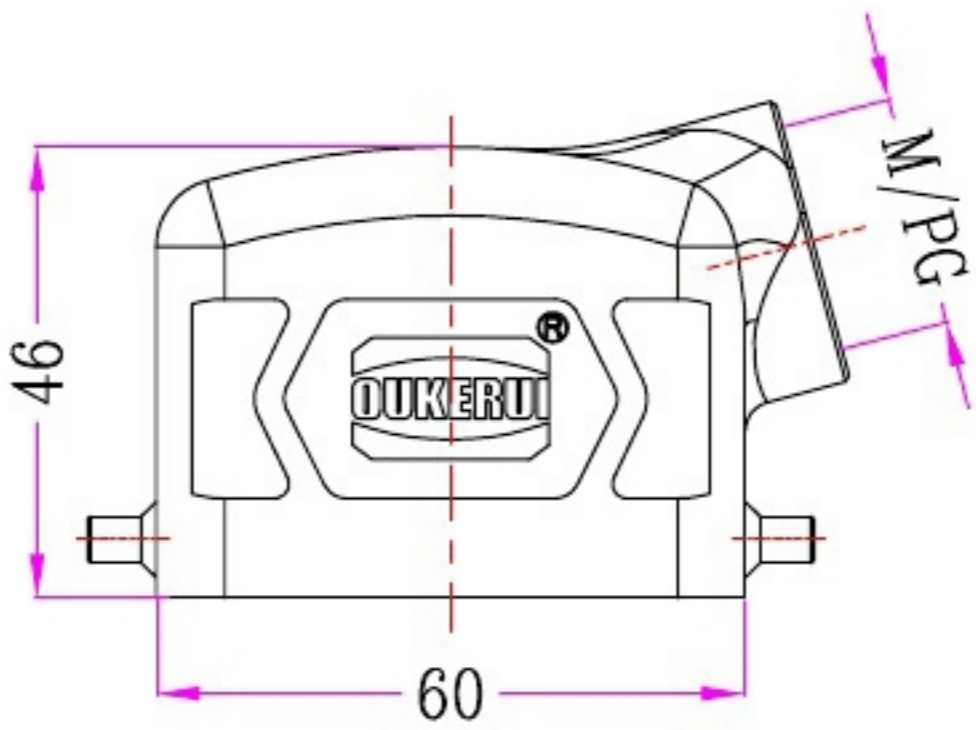



1	2		3	4	5	6		7	8	
Identification	Type name		Part number	Thread(M/PG)	Your Choice	REVISION DATA				
Hoods	HZW-H6B-SK-2g-M20		82 311 006 020	M20		SYM	ECN	DESCRIPTION	DATE	APPROVED
Side entry	HZW-H6B-SK-2g-PG13.5		82 311 006 013	PG13.5						
	HZW-H6B-SK-2g-PG16		82 311 006 016	PG16						



	SIGNATURE	DATE	Units	mm	 宁波欧科瑞连接器有限公司 NINGBO OKERUI CONNECTOR CO.,LTD.	
DRAW			Size	A4	TYPE NAME HZW-H6B-SK-2g-M/PG	
DESIGN			Scale		Part number	82 311 006 XXX REV
CHECK			Sheet	1/1	File path	OKR.06B.H06BM A0
APPROVE			Proj.	