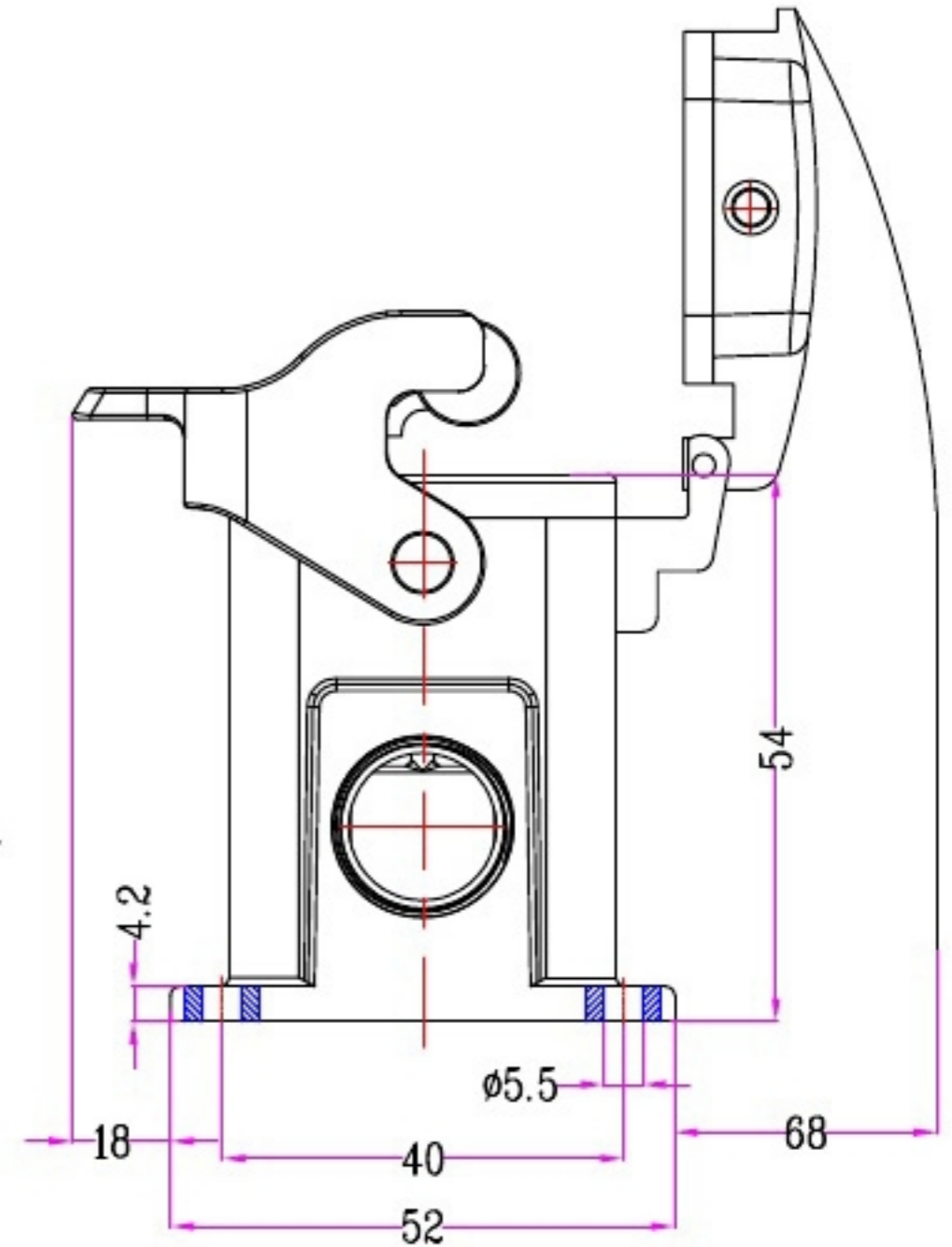
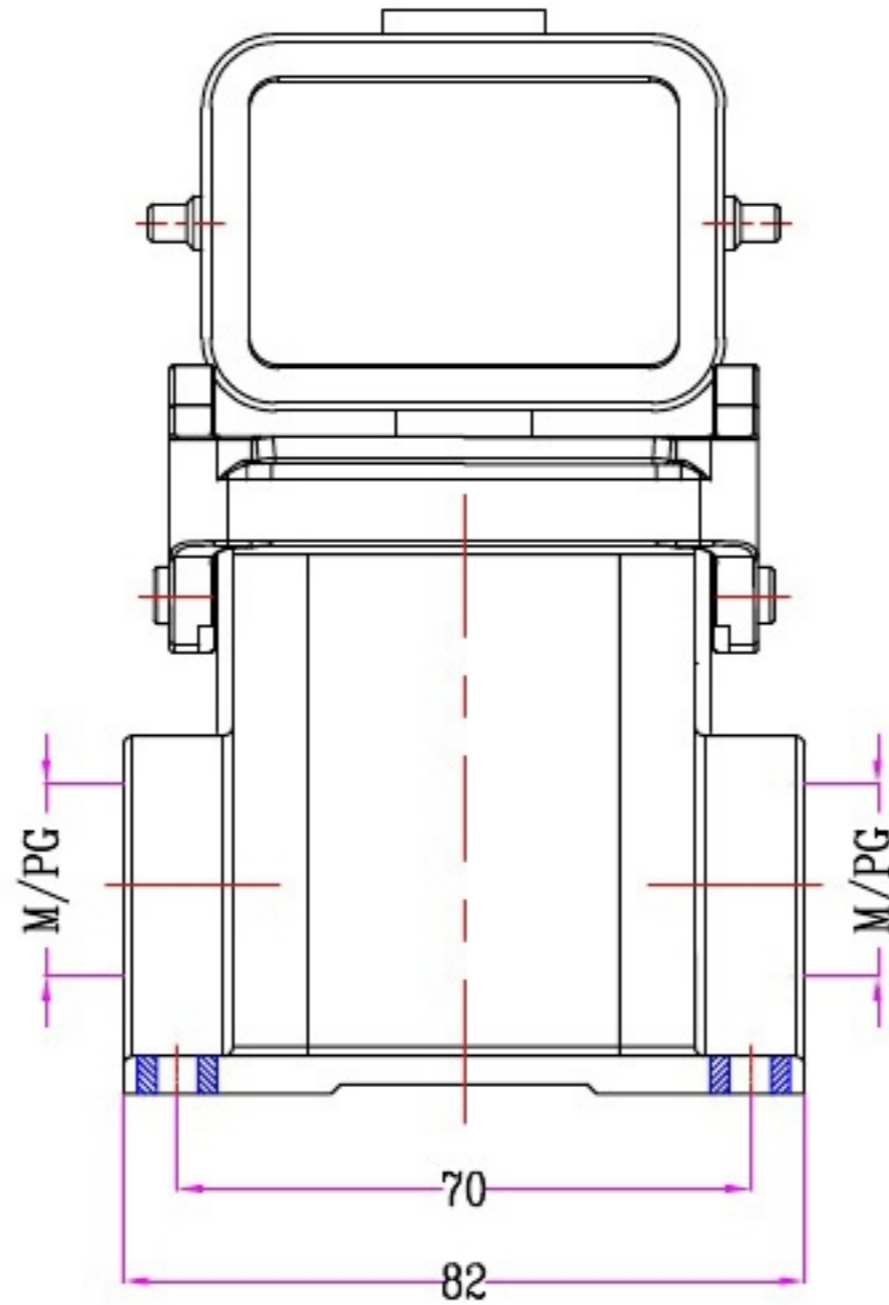

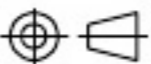


REVISION DATA				
SYM	ECN	DESCRIPTION	DATE	APPROVED


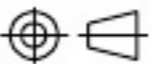


	SIGNATURE	DATE	Units	mm	 宁波欧科瑞连接器有限公司 NINGBO OKERUI CONNECTOR CO.,LTD.	
DRAW			Size	A4	TYPE NAME HZW-H6B-SG-MCV-1PL/RM-M/PG	
DESIGN			Scale		Part number	84 322 006 XXX REV
CHECK			Sheet	1/2	File path	OKR.06B.H06BL A0
APPROVE			Proj.			

1	2	3	4	5	6	7	8
A	Identification	Type name	Part number	Thread(M/PG)	Lever type	REVISION DATA	
		Housings Surface mounting With metal cover		HZW-H6B-SG-MCV-1PL/R-M20	84 322 006 020	M20	Plastic and Metal
B		HZW-H6B-SG-MCV-1PL/R-2M20	84 322 006 220	2M20	Plastic and Metal		
		HZW-H6B-SG-MCV-1PL/R-M25	84 322 006 025	M25	Plastic and Metal		
		HZW-H6B-SG-MCV-1PL/R-2M25	84 322 006 225	2M25	Plastic and Metal		
		HZW-H6B-SG-MCV-1PL/R-PG13.5	84 322 006 013	PG13.5	Plastic and Metal		
		HZW-H6B-SG-MCV-1PL/R-2PG13.5	84 322 006 213	2PG13.5	Plastic and Metal		
		HZW-H6B-SG-MCV-1PL/R-PG16	84 322 006 016	PG16	Plastic and Metal		
		HZW-H6B-SG-MCV-1PL/R-2PG16	84 322 006 216	2PG16	Plastic and Metal		
C		HZW-H6B-SG-MCV-1PL/M-M20	84 322 006 020	M20	Metal		
		HZW-H6B-SG-MCV-1PL/M-2M20	84 322 006 220	2M20	Metal		
		HZW-H6B-SG-MCV-1PL/M-M25	84 322 006 025	M25	Metal		
		HZW-H6B-SG-MCV-1PL/M-2M25	84 322 006 225	2M25	Metal		
		HZW-H6B-SG-MCV-1PL/M-PG13.5	84 322 006 013	PG13.5	Metal		
		HZW-H6B-SG-MCV-1PL/M-2PG13.5	84 322 006 213	2PG13.5	Metal		
		HZW-H6B-SG-MCV-1PL/M-PG16	84 322 006 016	PG16	Metal		
		HZW-H6B-SG-MCV-1PL/M-2PG16	84 322 006 216	2PG16	Metal		

SYM	ECN	DESCRIPTION	DATE	APPROVED



	SIGNATURE	DATE	Units	mm	 宁波欧科瑞连接器有限公司 NINGBO OKERUI CONNECTOR CO.,LTD.	
DRAW			Size	A4		
DESIGN			Scale		TYPE NAME	HZW-H6B-SG-MCV-1PL/RM-M/PG
CHECK			Sheet	2/2	Part number	84 322 006 XXX REV
APPROVE			Proj.		File path	OKR.06B.H06BL A0